

NO. E1FD-3652

ISSUED: DEC.2013

REVISED: JUL.2014



HOSHIZAKI SELF-CONTAINED CUBER

**MODEL IM-65NE, IM-65NE-25, IM-65NE-H
IM-65NE-S, IM-65NE-LM, IM-65NE-LM103
IM-65NE-C, IM-65NE-Q
IM-65WNE, IM-65WNE-25**

**E1FD, E1FD-D001,D002,D003,D004,D005,D006,D007,D008,D009
E1FD-D010,D011,D012,D013,D020**

PARTS LIST

[HE, GRAM]

A-1 JUL. 2011
B-0 JAN. 2012
B-1 OCT. 2012
C-0 JAN. 2013
D-0 JAN. 2014
D-1 APR. 2014

AUXILIARY CODE

U - 1

The auxiliary code is the first two characters in the serial number. The first character indicates the production year. Years progress or regress in alphabetical order. The series of letters and skipped letters depend on UL listing, production, and model. See the auxiliary code(s) and corresponding year(s) on the front cover.

The second character indicates significant part changes within the same year. Base is "1" and this number advances for each change. If there is no significant part change at the turn of the year, this number starts from "0."

MARKS LOCATED UNDER THE AUXILIARY CODE

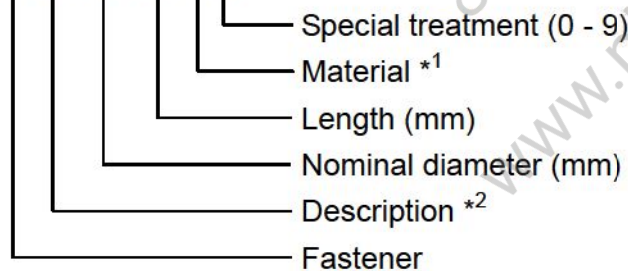
- = Part deleted.
- x = Part deleted and replaced by "o" part.
- o = New part in place of "x" part.

FASTENER PART NUMBER

SCREWS



F S T 0 3 0 6 F 0

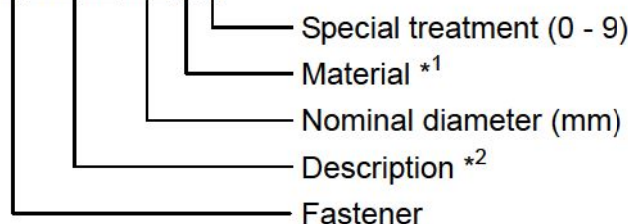


*1 **Material**

- F: Steel
- S: Austenitic stainless steel
- M: Martensitic stainless steel
- B: Copper alloy
- P: Polycarbonate
- N: Polyamide
- V: PVC
- A: ABS
- X: Polyacetal
- L: Aluminum

NUTS & WASHERS

F W S P 0 5 S 0



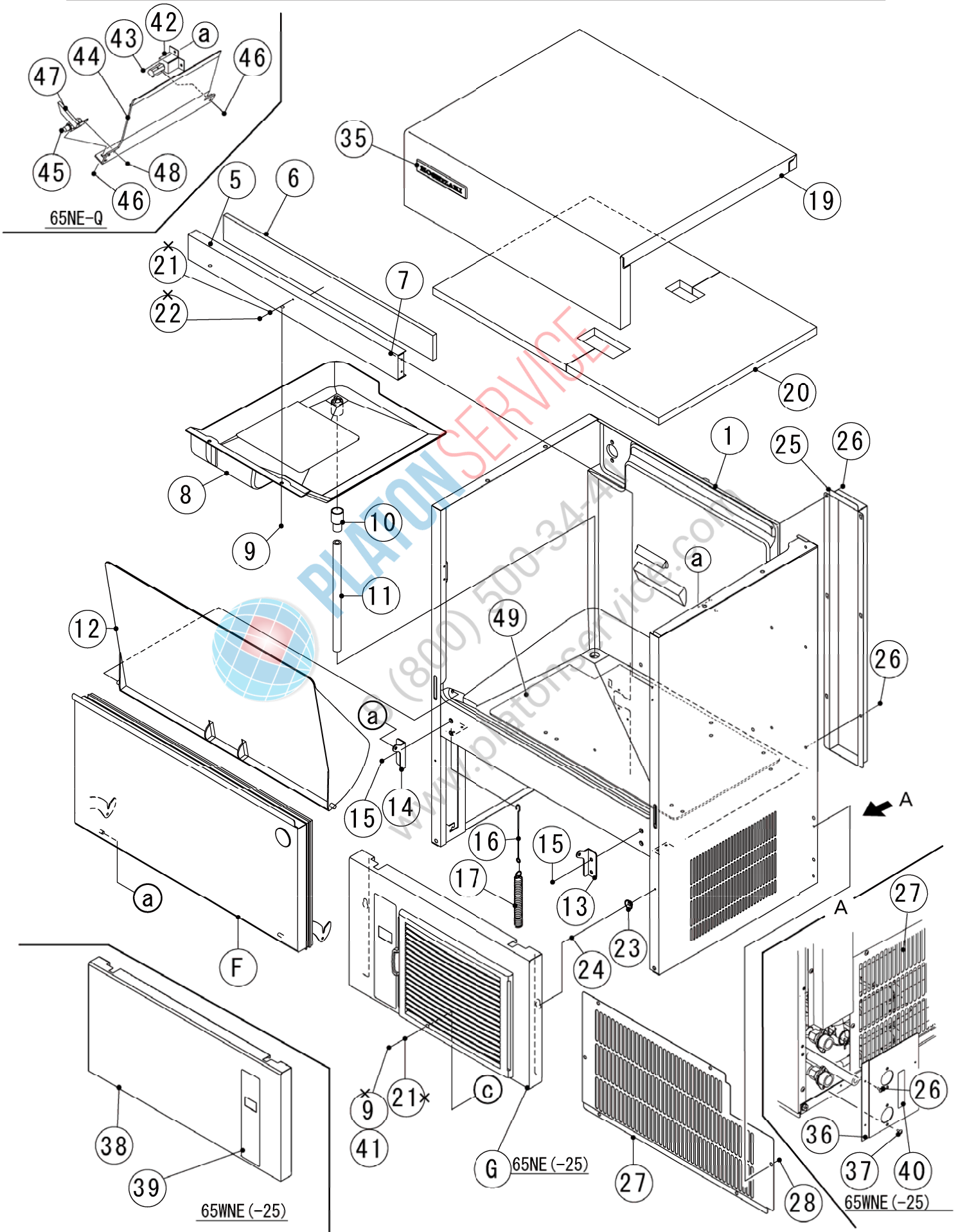
*2 **Description**

- First letter
- S: Machine screw
- T: Tapping screw
- M: Wood screw
- B: Bolt
- W: Washer
- N: Nut

IM-65NE (-25, -H, -S, -LM, -LM103, -C, -Q)
IM-65WNE (-25)

A. ICE CUBER ASSY (1/2)

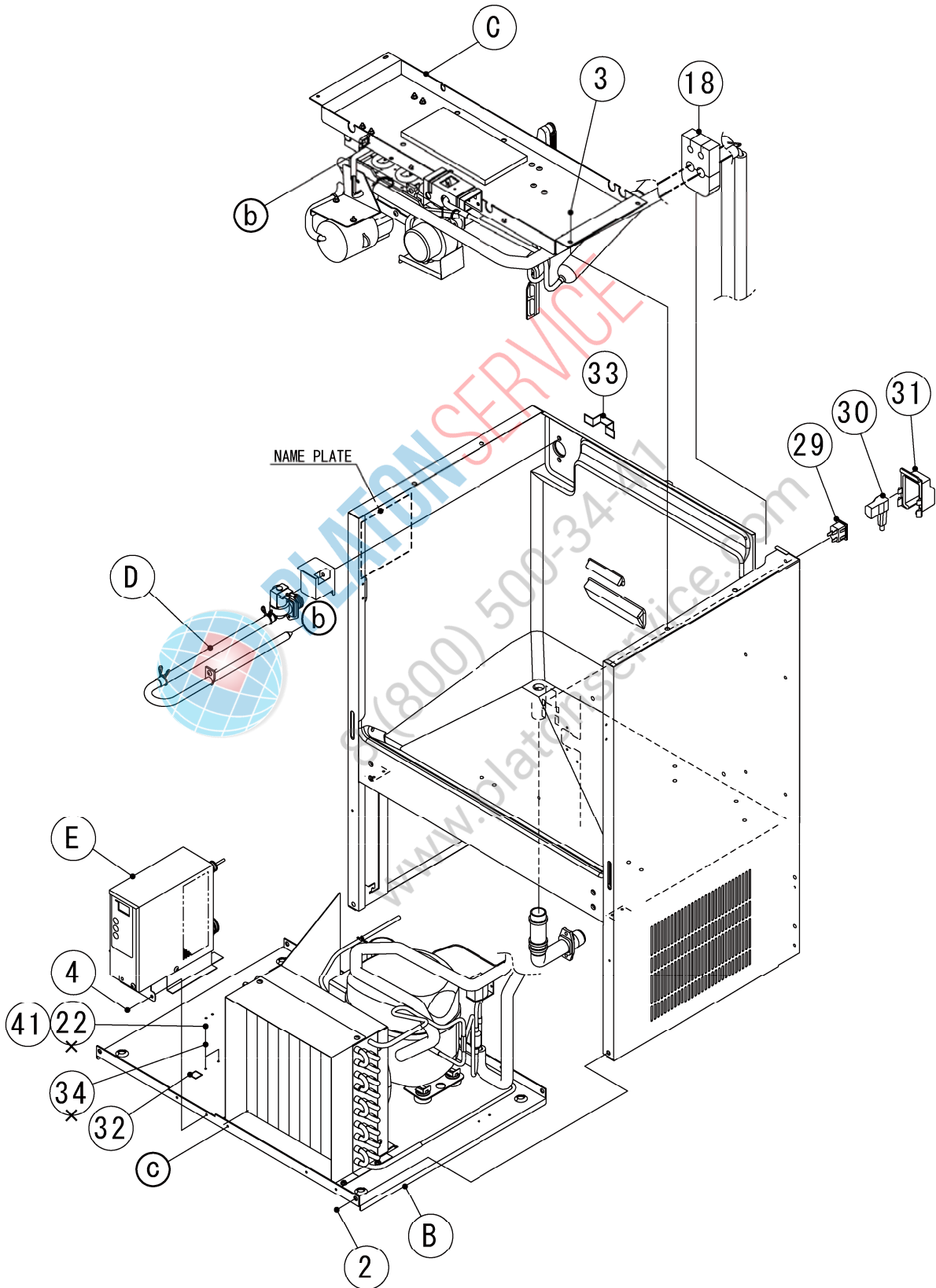
(A-1) and later



IM-65NE (-25, -H, -S, -LM, -LM103, -C, -Q)
IM-65WNE (-25)

A. ICE CUBER ASSY (2/2)

(A-1) and later



HE,GRAM

		MODEL: IM-65NE(-25,-H,-S,-LM,-LM103,-C,-Q) IM-65WNE(-25)	TITLE: A.ICE CUBBER ASSY				
INDEX NO.	DESCRIPTION	MATERIAL OR MODEL NUMBER	PART NUMBER	REQ'D NUMBER			
				A-1 B-0	B-1,C-0 D-0	D-1	
B	REFRIGERATION ASSY		1H4912A01	1	1	1	
		(65WNE)(65WNE-25)	1H5150A01	1	1	1	
C	ICE MAKING MECHANISM ASSY		1H4910A01	1	1	1	
		(65NE-C)	1H5338A01	-	1	1	
		(65NE-Q)	1H5360A01	-	1	1	
	MECHANISM ASSY	(65NE-LM,-LM103)	1H5334A01	-	1	1	
D	WATER CIRCUIT ASSY		3Y5857A01	1	1	1	
		(65NE-Q)	3Y7529A01	-	1	1	
E	CONTROL BOX ASSY		2X0439A02	1	-	-	
			2X1218A01	-	1	1	
F	DOOR ASSY		3Y5644A02	1	1	1	
G	FRONT PANEL LOWER ASSY	EXCEPT (65WNE)(65WNE-25)	3Y5615A02	1	1	1	
1	UNIT FRAME		1H4909G01	1	1	-	
			1H4909G02	-	-	1	
		(65NE-LM,-LM103)	1H4909001	-	1	-	
			1H4909002	-	-	1	
		(65NE-Q)	1H5357G01	-	1	-	
			1H5357G02	-	-	1	
2	TRUSS HEAD TAPPING SCREW T2	6*16	1H4196Z02	4	4	4	
	TAPPING SCREW - HEX	(65NE-Q)	442040-01	-	4	4	
3	TRUSS HEAD TAPPING SCREW T2		FT20410M0	4	4	4	
4	FLANGE BOLT (S-TITE)		FTR0408M0	2	2	2	
5	FRONT FRAME		3H1678-12	1	1	1	
6	INSULATION - FRONT FRAME		4H2317-03	1	1	1	
7	RIVET	SSD42SSBS(t1.6 ~ 3.2)	7170-0002	4	4	4	
8	DRAIN PAN		2H1441-02	1	1	1	
		(65NE-LM,-LM103)	2H1632G01	-	1	1	
		(65NE-Q)	2H1676G01	-	1	1	
9	TRUSS HEAD TAPPING SCREW (S-TITE)		FTS0408M0	3	2	2	
10	DRAIN TUBE		4H2585-01	1	1	1	
11	DRAIN PIPE		4Y7493P03	1	1	1	
		(65NE-LM,-LM103)	4Y7493P02	-	1	1	
		(65NE-Q)	4Y7493P04	-	1	1	
12	SLOPE		2H1349-02	1	1	1	

HE,GRAM

MODEL: IM-65NE(-25,-H,-S,-LM,-LM103,-C,-Q) IM-65WNE(-25)		TITLE: A.ICE CUBBER ASSY					
INDEX NO.	DESCRIPTION	MATERIAL OR MODEL NUMBER	PART NUMBER	REQ'D NUMBER			
				A-1 B-0	B-1,C-0 D-0	D-1	
13	HINGE (RIGHT)		4H2583-01	1	1	1	
14	HINGE (LEFT)		4H2584-01	1	1	1	
15	HEX HEAD BOLT (SPRING WASHER AND FLAT WASHER)		FBK0616S0	4	4	4	
16	HOOK		404060-10	1	1	1	
17	SPRING		4H0823-01	1	1	1	
18	INSULATION-BIN		4Y7416P01	1	1	1	
19	FRONT PANEL(UPPER)	(HE) Including No. 35	3Y5548G03	1	1	1	
		(GRAM) Including No. 35	3Y5548G06	1	1	1	
		(65NE-LM,-LM103) (65NE-Q)	3Y7468G01	-	1	1	
20	INSULATION - TOP		3Y5960P01	1	1	1	
		(65NE-LM,-LM103)	3Y7387G01	-	1	1	
		(65NE-Q)	3Y7530G01	-	1	1	
	INSULATION-TOP PANEL	(65NE-C)	3Y7493G01	-	1	1	
21	SPRING WASHER		FWSP04S0	2	-	-	
22	TRUSS HEAD MACHINE SCREW		FST0408S0	3	-	-	
23	TAPER COLLAR		4H0171-01	2	2	2	
24	RIVET	SSD42BS	7170-0001	2	2	2	
25	COVER - PIPE		3Y5869M01	1	1	-	
			3Y8279M01	-	-	1	
26	TRUSS HEAD TAPPING SCREW T2		FT20408F0	6	6	2	
		(65WNE)(65WNE-25)		14	14	10	
27	REAR COVER		3Y5858M01	1	1	1	
		(65WNE)(65WNE-25)	3Y6615M01	1	1	1	
28	TRUSS HEAD TAPPING SCREW T2	EXCEPT (65WNE)(65WNE-25)	FT20408M0	6	6	6	
29	CONNECTOR		P00245-02	1	1	1	
30	POWER SUPPLY CORD	EU-PLUG(10A)	P03359-01	1	1	1	
		UK-PLUG(10A)	P03360-01	1	1	1	
		AS-PLUG(10A)	P03361-01	1	1	1	
31	COVER - CONNECTOR	ACCESSORIES NO.4	2X0271P01	1	1	1	
32	LABEL - GROUND (B)	EXCEPT (65NE-LM,-LM103) (65NE-C)(65NE-Q)	450452-02	1	1	1	
33	CAUTION - LABEL		452552-01	1	1	1	
34	TOOTH WASHER		FWTB04S0	2	-	-	

HE,GRAM

		MODEL: IM-65NE(-25,-H,-S,-LM,-LM103,-C,-Q) IM-65WNE(-25)	TITLE: A.ICE CUBBER ASSY				
INDEX NO.	DESCRIPTION	MATERIAL OR MODEL NUMBER	PART NUMBER	REQ'D NUMBER			
				A-1 B-0	B-1,C-0 D-0	D-1	
35	EMBLEM	(HE)	340842-01	1	1	1	
	EMBLEM-GRAM	(GRAM)	4Y6123L01	1	1	1	
36	BRACKET - WATER	(65WNE)(65WNE-25)	4Y7399M01	1	1	1	
37	S-TITE TRUSS HEAD SCREW	(65WNE)(65WNE-25)	FTS0408F0	4	4	4	
38	FRONT PANEL LOWER(G)	(65WNE)(65WNE-25)	3Y5939G02	1	1	1	
39	OPERATION LABEL	(65WNE)(65WNE-25)	375116L03	1	1	1	
40	LABEL-CONNECTION	(65WNE)(65WNE-25)	464541-02	1	1	1	
41	PAN HEAD SCREW SW		FSK0408S0	-	4	4	
42	BRACE(B)	(65NE-Q)	4X0885-01	-	1	1	
43	TRUSS HEAD TAPPING SCREW T2	(65NE-Q)	FT20410S0	-	2	2	
44	ICE GUIDE(F)	(65NE-Q)	3H4973G01	-	1	1	
45	ICE GUIDE SHAFT(B)	(65NE-Q)	4H5590-01	-	2	2	
46	TRUSS HEAD MACHINE SCRE	(65NE-Q)	FST0416S0	-	4	4	
47	LEVER-ICE GUIDE	(65NE-Q)	4H7248-01	-	1	1	
48	TRUSS HEAD SCREW	(65NE-Q)	FST0408S0	-	2	2	
49	MAT	(65NE-LM,-LM103) (65NE-Q)	4H6755-01	-	1	1	

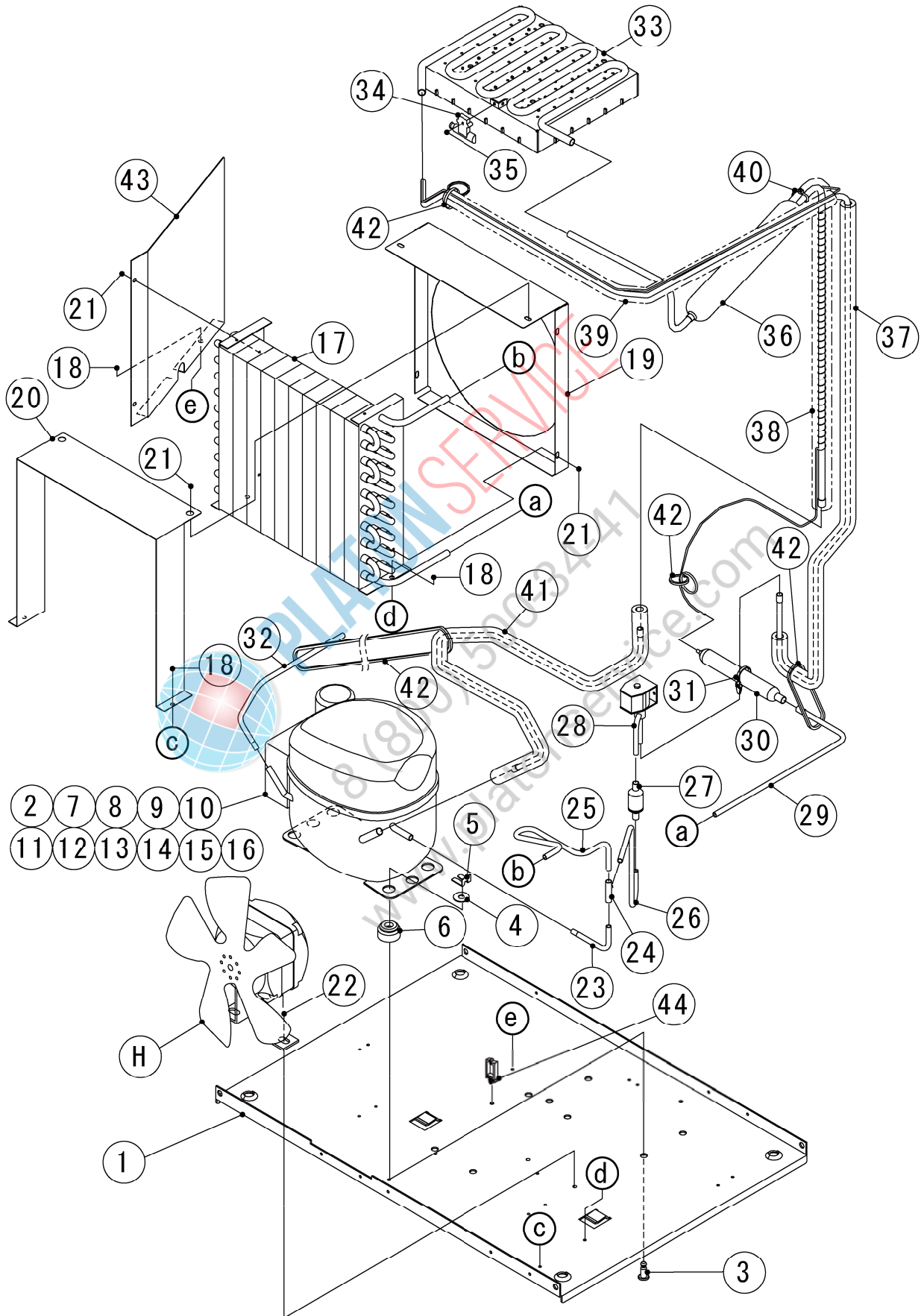


8 (800) 330-34-47

www.platonservice.com

B. REFRIGERATION ASSY


(A-1) and later

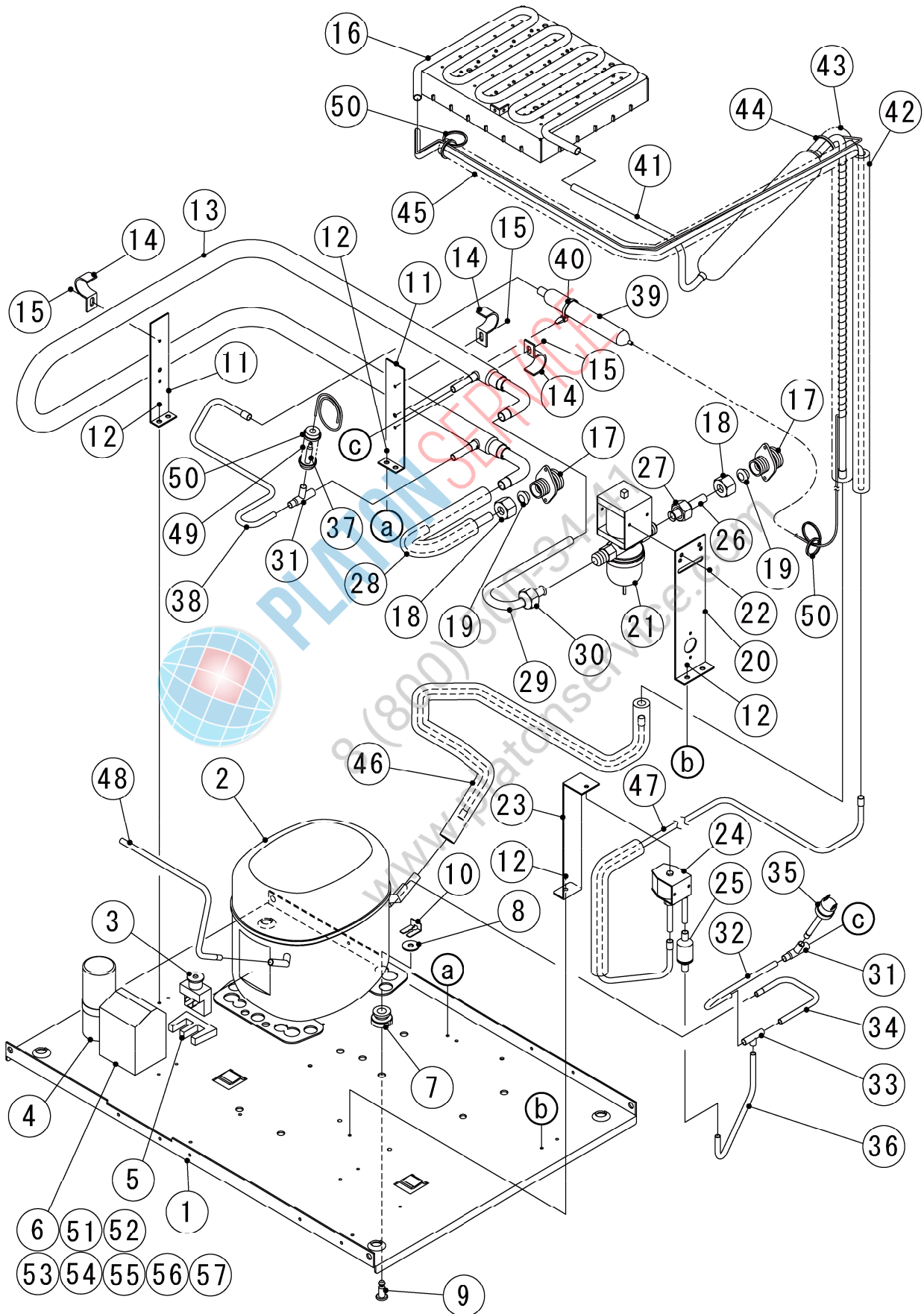


HE,GRAM

MODEL: IM-65NE(-25,-H,-S,-LM,-LM103,-C,-Q)		TITLE: B.REFRIGERATION ASSY					
INDEX NO.	DESCRIPTION	MATERIAL OR MODEL NUMBER	PART NUMBER	REQ'D NUMBER			
				A-1 B-0	B-1,C-0 D-0	D-1	
H	FAN MOTOR ASSY		3Y5886A01	1	1	1	
1	BASE		1H4829M01	1	1	1	
2	COMPRESSOR	(50Hz)	P02582-01	1	1	1	
		(60Hz)	P02617-01	1	1	1	
		(65NE-H,-S,-LM,-LM103)	451196-01	-	1	1	
3	PIN		P02605-01	4	4	4	
	STEEL PIN	(65NE-H,-S,-LM,-LM103)	452255-01	-	1	1	
4	WASHER		P02606-01	4	4	4	
	WASHER CUSHION	(65NE-H,-S,-LM,-LM103)	450894-01	-	1	1	
5	CLAMP		P02607-01	4	4	4	
	CLIP	(65NE-H,-S,-LM,-LM103)	452256-01	-	1	1	
6	RUBBER GROMMET		P02608-01	4	4	4	
	GROMMET	(65NE-H,-S,-LM,-LM103)	450897-01	-	1	1	
7	HERMETIC TERMINAL COVER		P03143-01	1	1	1	
	COVER	(65NE-H,-S,-LM,-LM103)	450896-0	-	1	1	
8	SCREW	EXCEPT(65NE-H,-S,-LM,-LM103)	P00840-01	2	2	2	
9	BRACKET FOR CAPACITOR	EXCEPT(65NE-H,-S,-LM,-LM103)	P02610-01	1	1	1	
10	START CAPACITOR		P02611-01	1	1	1	
	STARTING CAPACITOR	(65NE-H,-S,-LM,-LM103)	450898-01	-	1	1	
11	TERMINAL BOARD	EXCEPT(65NE-H,-S,-LM,-LM103)	P02612-01	1	1	1	
12	STARTING RELAY	(50Hz)	P02622-01	1	1	1	
		(60Hz)	P02619-01	1	1	1	
		(65NE-H,-S,-LM,-LM103)	451197-01	-	1	1	
13	MOTOR PROTECTOR	(50Hz)	EXCEPT(65NE-H,-S,-LM,-LM103)	P02621-01	1	1	1
		(60Hz)					
		Overload Protector Bracket	EXCEPT(65NE-H,-S,-LM,-LM103)	P03144-01	1	1	1
15	SELF TAPPING SCREW M4-11	EXCEPT(65NE-H,-S,-LM,-LM103)	P02615-01	1	1	1	
16	SELF TAPPING SCRW M4-21	EXCEPT(65NE-H,-S,-LM,-LM103)	P02616-01	1	1	1	
17	CONDENSER - AIR COOLED		P03373-01	1	1	1	
18	FLANGE BOLT (S-TITE)		FTR0408M0	5	5	5	
19	SHROUD		3Y5883M01	1	1	1	
20	COVER - CONDENSER		3Y5890M01	1	1	1	
21	TRUSS HEAD TAPPING SCREW T2		FT20408F0	6	6	6	

HE,GRAM

MODEL: IM-65NE(-25,-H,-S,-LM,-LM103,-C,-Q)		TITLE: B.REFRIGERATION ASSY					
INDEX NO.	DESCRIPTION	MATERIAL OR MODEL NUMBER	PART NUMBER	REQ'D NUMBER			
				A-1 B-0	B-1,C-0 D-0	D-1	
22	HEX HEAD BOLT (SPRING WASHER AND FLAT WASHER)		FBK0612F0	2	2	2	
23	PIPE(A) - HIGH SIDE		4Y7160M01	1	1	1	
		(65NE-H,-S,-LM,-LM103)	4Y8379M01	-	1	1	
24	TEE		417394-01	1	1	1	
25	PIPE(B) - HIGH SIDE		4Y7161M01	1	1	1	
26	PIPE(A) - HOT		4Y7162M01	1	1	1	
27	STRAINER		P00008-01	1	1	1	
28	HOT GAS VALVE		P02539-01	1	1	1	
29	PIPE(C) - HIGH SIDE		4Y7163M01	1	1	1	
30	DRIER		P03584-01	1	1	1	
31	PUSH MOUNT TIE		436156-01	1	1	1	
32	PROSESS PIPE		4Y7164M01	1	1	1	
		(65NE-H,-S,-LM,-LM103)	4Y8380M01	-	1	1	
33	EVAPORATOR 		3H6803G02	1	1	1	
		(65NE-25)	3H4407G01	1	1	1	
		(65NE-H)	3H3337G01	1	1	1	
		(65NE-S)	3H3337G03	1	1	1	
		(65NE-LM)	3H4562G01	1	1	1	
		(65NE-LM103)	3H5806G01	1	1	1	
		(65NE-C)	2X0258G01	1	1	1	
	(65NE-Q)	3H4634G01	1	1	1		
34	HOLDER - THERMISTOR		3H9642-01	1	1	1	
35	TRUSS HEAD TAPPING SCREW (S-TITE)		FTS0408M0	1	1	1	
36	HEAT EXCHANGER		3Y5888G01	1	1	1	
37	PIPE(B) - HOT		3Y5889G01	1	1	1	
38	INSULATION TUBE		H81525550	1	1	1	
39	INSULATION TUBE		H81020730	1	1	1	
40	NYLON TIE	CV-100	7920-0002	1	1	1	
41	PIPE(A) - LOW SIDE		3Y5607G01	1	1	1	
42	NYLON TIE	CV-100	7920-0002	4	4	4	
43	BARRIER		3Y6237M01	1	1	1	
44	WIRE SADDLE	EXCEPT(65NE-Q)	428060-03	1	1	1	
45	CORD RELIEF	(65NE-H,-S,-LM,-LM103)	4A3264-01	-	1	1	



HE

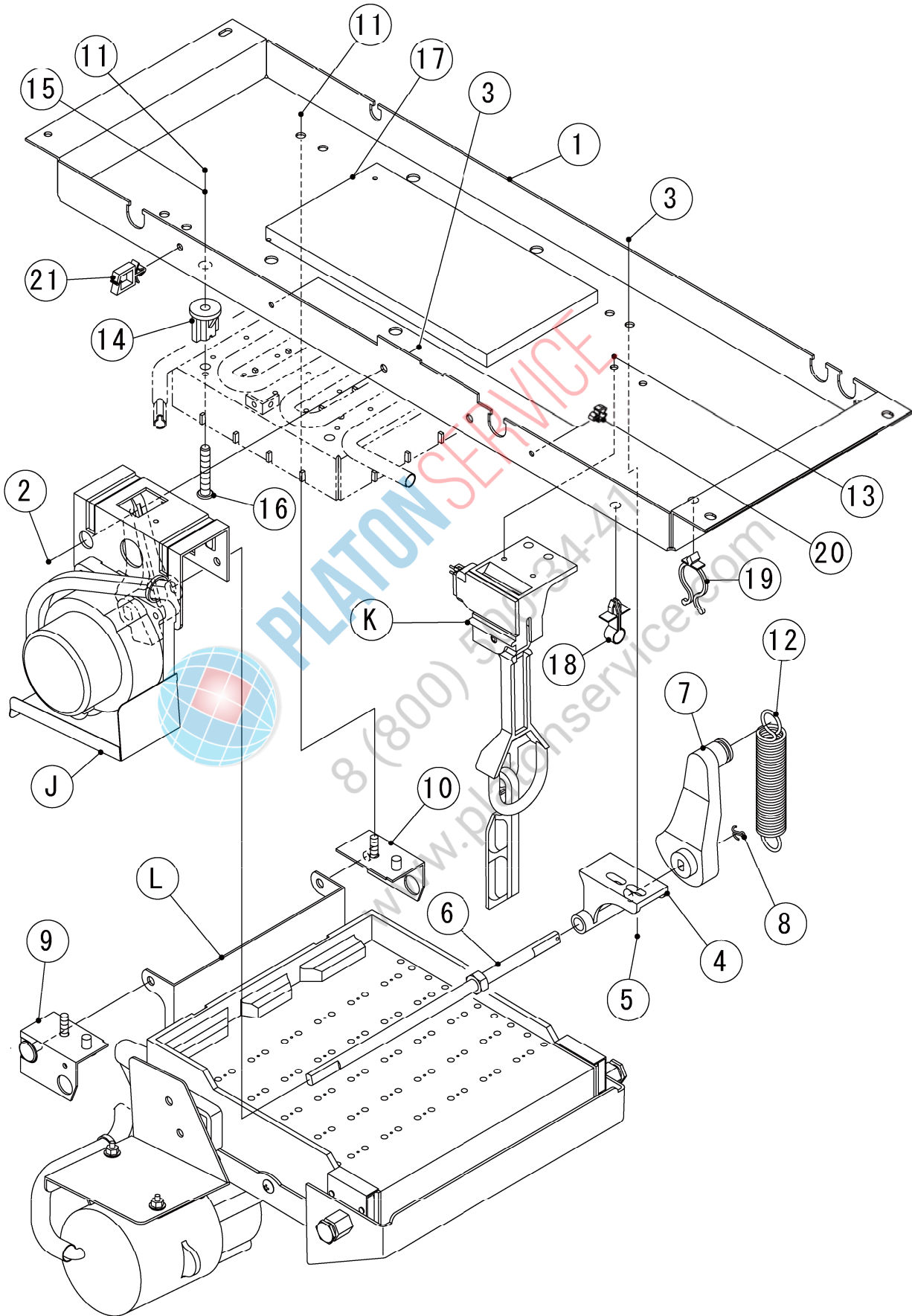
MODEL: IM-65WNE IM-65WNE-25		TITLE: B.REFRIGERATION ASSY					
INDEX NO.	DESCRIPTION	MATERIAL OR MODEL NUMBER	PART NUMBER	REQ'D NUMBER			
				A-1 B-0	B-1,C-0 D-0	D-1	
1	BASE		1H4829M01	1	1	1	
2	COMPRESSOR	(50Hz)	451196-01	1	1	1	
		(60Hz)	P02617-01	1	1	1	
3	STARTING RELAY	(50Hz)	451197-01	1	1	1	
		(60Hz)	P02619-01	1	1	1	
4	STARTING CAPACITOR	(50Hz)	450898-01	1	1	1	
		(60Hz)	P02611-01	1	1	1	
5	CORD RELIEF	(50Hz)	4A3264-01	1	1	1	
6	COVER	(50Hz)	450896-01	1	1	1	
	HERMETIC TERMINAL COVER	(60Hz)	P03143-01	1	1	1	
7	GROMMET	(50Hz)	450897-01	4	4	4	
	RUBBER GROMMET	(60Hz)	P02608-01	4	4	4	
8	WASHER CUSHION	(50Hz)	450894-01	4	4	4	
	WASHER	(60Hz)	P02606-01	4	4	4	
9	STEEL PIN	(50Hz)	452255-01	4	4	4	
	PIN	(60Hz)	P02605-01	4	4	4	
10	CLIP	(50Hz)	452256-01	4	4	4	
	CLAMP	(60Hz)	P02607-01	4	4	4	
11	BRACKET - CONDENSER		4H5731-01	2	2	2	
12	FLANGE BOLT (S-TITE)		FTQ0410M0	7	7	7	
13	CONDENSER - WATER COOLING		2X1106G01	1	1	1	
14	CLAMP(B) - CONDENSER		4H0622-01	3	3	3	
15	T2 TRUSS HEAD SCREW		FT20408F0	3	3	3	
16	EVAPORATOR		3H6803G02	1	1	1	
		(65WNE-25)	3H4407G01	1	1	1	
17	FITTING(P)		3Y0747-01	2	2	2	
18	NUT (A) - FITTING		415713-03	2	2	2	
19	TAPPERED PACKING		415715-01	2	2	2	
20	BRACKET - WATER REGURATOR		4X5632-01	1	1	1	
21	WATER REGULATOR		448082-01	1	1	1	
22	TRUSS HEAD SCREW		FST0406S0	2	2	2	
23	BRACKET - HOT GAS VALVE		4H5186-01	1	1	1	
24	HOT GAS VALVE		P02539-01	1	1	1	
25	STRAINER		P00008-01	1	1	1	
26	PIPE(C) - WATER		4Y7391M01	1	1	1	
27	NUT - FLARE		403695-01	1	1	1	

HE

MODEL: IM-65WNE IM-65WNE-25		TITLE: B.REFRIGERATION ASSY					
INDEX NO.	DESCRIPTION	MATERIAL OR MODEL NUMBER	PART NUMBER	REQ'D NUMBER			
				A-1 B-0	B-1,C-0 D-0	D-1	
28	PIPE(A) - WATER		4Y7392G01	1	1	1	
29	PIPE(B) - WATER		4Y7393M01	1	1	1	
30	NUT - FLARE		403695-01	1	1	1	
31	TEE		420041-03	2	2	2	
32	PIPE(B) - HIGH SIDE		4Y7395M01	1	1	1	
33	TEE - 6.4		417394-01	1	1	1	
34	PIPE(A) - HIGH SIDE		4Y7394M01	1	1	1	
35	PRESSURE SWITCH	R134a,R22,R404A	459863-01	1	1	1	
36	PIPE(A) - HOT GAS		4Y7396M01	1	1	1	
37	SLEEVE		441322-01	1	1	1	
38	PIPE(C) - HIGH SIDE		4Y7397M01	1	1	1	
39	DRIER		P03584-01	1	1	1	
40	PUSH MOUNT TIE		436156-01	1	1	1	
41	HEAT EXCHANGER		3Y5888G01	1	1	1	
42	PIPE(B) - HOT		3Y6613G01	1	1	1	
43	INSULATION TUBE		H81525550	1	1	1	
44	TIE	CV-100	7920-0002	1	1	1	
45	INSULATION TUBE		H81020730	1	1	1	
46	PIPE(A) - LOW SIDE		3Y5934G01	1	1	1	
47	PIPE(B) - HOTGAS		3Y5935G01	1	1	1	
48	PROSESS PIPE		4Y7164M01	1	1	1	
49	INSULATION - CAP		4H9594-01	1	1	1	
50	TIE	CV-100	7920-0002	4	4	4	
51	SCREW	(60Hz)	P00840-01	2	2	2	
52	BRACKET FOR CAPACITOR	(60Hz)	P02610-01	1	1	1	
53	TERMINAL BOARD	(60Hz)	P02612-01	1	1	1	
54	MOTOR PROTECTOR	(60Hz)	P02614-01	1	1	1	
55	Overload Protector Bracket	(60Hz)	P03144-01	1	1	1	
56	SELF TAPPING SCREW M4-11	(60Hz)	P02615-01	1	1	1	
57	SELF TAPPING SCR W M4-21	(60Hz)	P02616-01	1	1	1	

IM-65NE (-25, -H, -S, -C)
IM-65WNE (-25)

C. ICE MAKING MACHANISM ASSY (A-1) and later

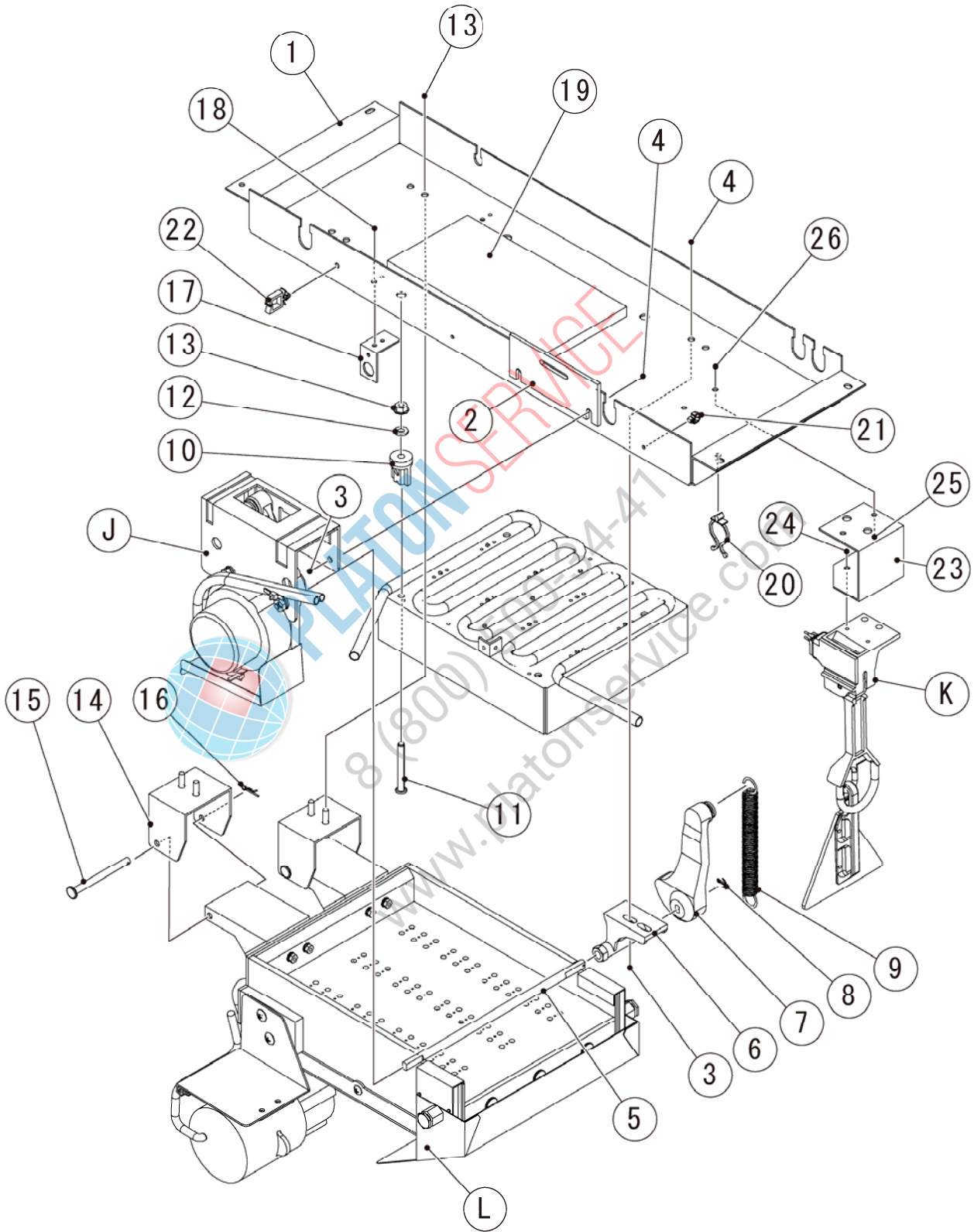


HE,GRAM

MODEL: IM-65NE(-25,-H,-S,-C) IM-65WNE(-25)		TITLE: C.ICE MAKING MECHANISM ASSY					
INDEX NO.	DESCRIPTION	MATERIAL OR MODEL NUMBER	PART NUMBER	REQ'D NUMBER			
				A-1 B-0	B-1,C-0 D-0	D-1	
J	ACTUATOR MOTOR ASSY		3Y5641A02	1	1	1	
		(65NE-C)	3Y7480A01	-	1	1	
K	BIN CONTROL SWITCH		3H1537A02	1	1	1	
L	WATER PAN ASSY		2X0656A01	1	1	1	
		(65NE-C)	1H5336A01	-	1	1	
1	BRACKET - ICE MAKING MECHANISM		2X0657M01	1	1	1	
		(65NE-25) (65WNE-25)	2X0911M01	1	1	1	
2	TRUSS HEAD MACHINE SCREW		FST0512S0	2	2	2	
3	FLANGE NUT		FNHF05S0	4	4	4	
4	CAM SHAFT BEARING		307256-02	1	1	1	
5	TRUSS HEAD MACHINE SCREW		FST0516S0	2	2	2	
6	CAM SHAFT		4H2589G01	1	1	1	
7	CAM (B)		3H1389-01	1	1	1	
8	COTTER PIN		711S-0212	1	1	1	
9	BEARING (FRONT) - WATER PAN		4H2591G02	1	1	1	
10	BEARING (REAR) - WATER PAN		4H2592G02	1	1	1	
11	FLANGE NUT		FNHF06S0	6	6	6	
12	SPRING		4H2590-01	1	1	1	
13	TRUSS HEAD TAPPING SCREW T2		FT20410M0	2	2	2	
14	SPACER		4H0471-01	4	4	4	
		(65NE-H,-S)	4H1673G05	4	4	4	
		(65NE-25) (65WNE-25)	4X5342-01	4	4	4	
15	WASHER		4H0777-01	4	4	4	
16	SCREW EVAPORATOR		4Y4922M01	4	4	4	
		(65NE-H,-S) (65NE-25) (65WNE-25)	4Y4922M02	4	4	4	
17	INSULATION (D)		4Y7347P01	1	1	1	
18	CLAMP		428644-02	1	1	1	
19	CLAMP	No.2674	427902-02	1	1	1	
20	CLAMP		426197-01	2	2	2	
21	WIRE SADDLE		428060-03	1	1	1	

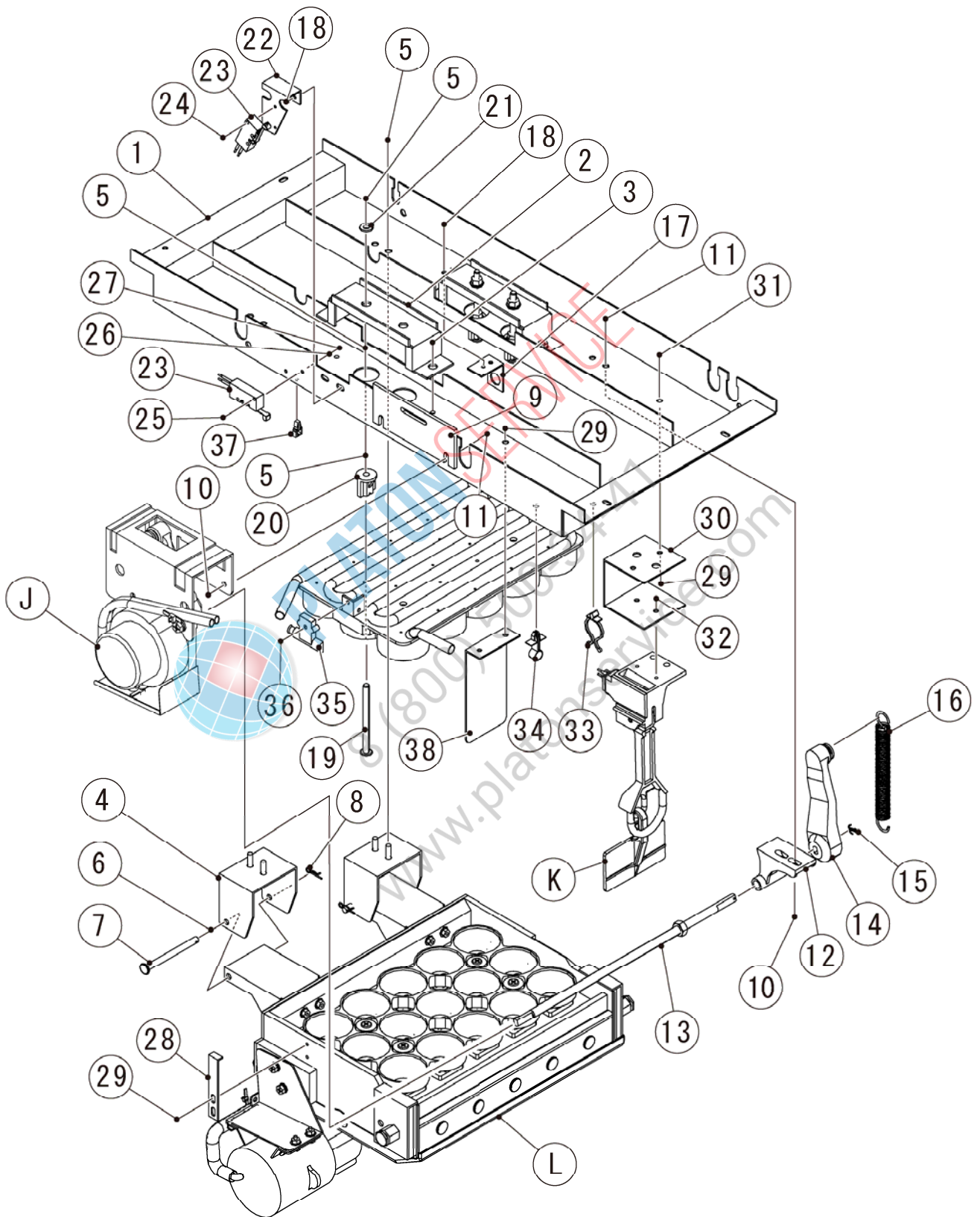
IM-65NE-LM
IM-65NE-LM103

C. ICE MAKING MACHANISM ASSY (C-0) and later



HE

MODEL: IM-65NE-LM IM-65NE-LM103		TITLE: C.ICE MAKING MECHANISM ASSY					
INDEX NO.	DESCRIPTION	MATERIAL OR MODEL NUMBER	PART NUMBER	REQ'D NUMBER			
				C-0 D-0	D-1		
J	ACTUATOR MOTOR ASSY		3Y7754A02	1	1		
K	BIN CONTROL SWITCH		3Y7467A01	1	1		
L	WATER PAN ASSY		2X1614A01	1	1		
1	BRACKET-ICE MAKING MECHANISM		2X1613M01	1	1		
2	SPACER(C)		4Y6145P01	1	1		
3	TRUSS HEAD SCREW		FST0516S0	4	4		
4	FLANGE NUT		FNHF05S0	4	4		
5	CAM SHAFT		4H2589G02	1	1		
6	CAM SHAFT BEARING		307256-02	1	1		
7	CAM (B)		315775-01	1	1		
8	CUTTER PIN		711S-0212	1	1		
9	SPRING		4H0287-01	1	1		
10	SPACER		4H1673G06	4	4		
11	SCREW EVAPORATOR		4Y4922M02	4	4		
12	WASHER		4H0777-01	4	4		
13	FLANGE NUT		FNHF06S0	8	8		
14	BEARING PLATE		3H3900G01	2	2		
15	SHAFT (A)		4H1184-01	2	2		
16	SNAP PIN		715S-0006	2	2		
17	BRACKET-PIPE		4H5585-01	2	2		
18	HEX HEAD BOLT (SPRING WASHER AND FLAT WASHER)		FBK0408S0	2	2		
19	INSULATION (D)		4Y7347P01	1	1		
20	CLAMP		427902-02	1	1		
21	CLAMP		426197-01	2	2		
22	WIRE SADDLE		428060-03	1	1		
23	BRACKET-SW		4Y8210M01	1	1		
24	TRUSS HEAD TAPPING SCREW T2		FT20410S0	2	2		
25	TRUSS HEAD SCREW		FST0410S0	2	2		
26	FLANGE NUT		FNHF04S0	2	2		



HE

MODEL: IM-65NE-Q			TITLE: C.ICE MAKING MECHANISM ASSY				
INDEX NO.	DESCRIPTION	MATERIAL OR MODEL NUMBER	PART NUMBER	REQ'D NUMBER			
				C-0 D-0	D-1		
J	ACTUATOR MOTOR ASSY		3Y7523A01	1	1		
K	BIN CONTROL SWITCH		3H1537A08	1	1		
L	WATER PAN ASSY		2X1646A01	1	1		
1	MECHANISM BASE		1H5358M01	1	1		
2	BRACKET-EVAPORATOR		3H5000-01	2	2		
3	HEX HEAD BOLT (SPRING WASHER AND FLAT WASHER)		FBK0512S0	4	4		
4	BEARING-WATER PAN		3H5926G01	2	2		
5	FLANGE NUT		FNHF06S0	16	16		
6	FLAT WASHER		FWPL06N0	4	4		
7	SHAFT (A)		4H1184-01	2	2		
8	SNAP PIN		715S-0006	2	2		
9	SPACER(C)		4Y6145P01	1	1		
10	TRUSS HEAD SCREW		FST0516S0	4	4		
11	FLANGE NUT		FNHF05S0	4	4		
12	CAM SHAFT BEARING		307256-02	1	1		
13	CAM SHAFT		4Y2372G01	1	1		
14	CAM(B)		3H5650-01	1	1		
15	CUTTER PIN		711S-0212	1	1		
16	SPRING		4H0287-01	1	1		
17	BRACKET-PIPE		4H5585-01	2	2		
18	HEX HEAD BOLT (SPRING WASHER AND FLAT WASHER)		FBK0408S0	4	4		
19	SCREW-EVAPORATOR MOUNTING		4H5788-01	4	4		
20	SPACER		4H0471-01	4	4		
21	WASHER		4H0777-01	4	4		
22	BRACKET(A)-SW		4Y8236M01	1	1		
23	MICRO SWITCH		456432-02	2	2		
24	PAN HEAD MACHINE SCREW (SPRING WASHER AND FLAT WASHER)		FSK0316S0	2	2		
25	PAN HEAD MACHINE SCREW (SPRING WASHER AND FLAT WASHER)		FSK0320S0	2	2		
26	FLAT WASHER		FWPL03S0	2	2		
27	NUT		FNH103S0	2	2		
28	LEVER		4Y6297M01	1	1		

HE

MODEL: IM-65NE-Q		TITLE: C.ICE MAKING MECHANISM ASSY					
INDEX NO.	DESCRIPTION	MATERIAL OR MODEL NUMBER	PART NUMBER	REQ'D NUMBER			
				C-0 D-0	D-1		
29	HEX HEAD BOLT (SPRING WASHER AND FLAT WASHER)		FBK0412S0	6	6		
30	BRACKET-BIN SW		4Y8237M01	1	1		
31	FLANGE NUT		FNHF04S0	2	2		
32	T2 TRUSS HEAD SCREW		FT20410M0	2	2		
33	CLAMP		427902-02	1	1		
34	CLAMP		428644-02	1	1		
35	HOLDER - THERMISTOR		3H9642-01	1	1		
36	S-TITE TRUSS HEAD SCREW		FTS0408M0	1	1		
37	BOARD SUPPORT		414929-02	1	1		
38	STOPPER - ICE GUIDE		4Y8238M01	1	1		

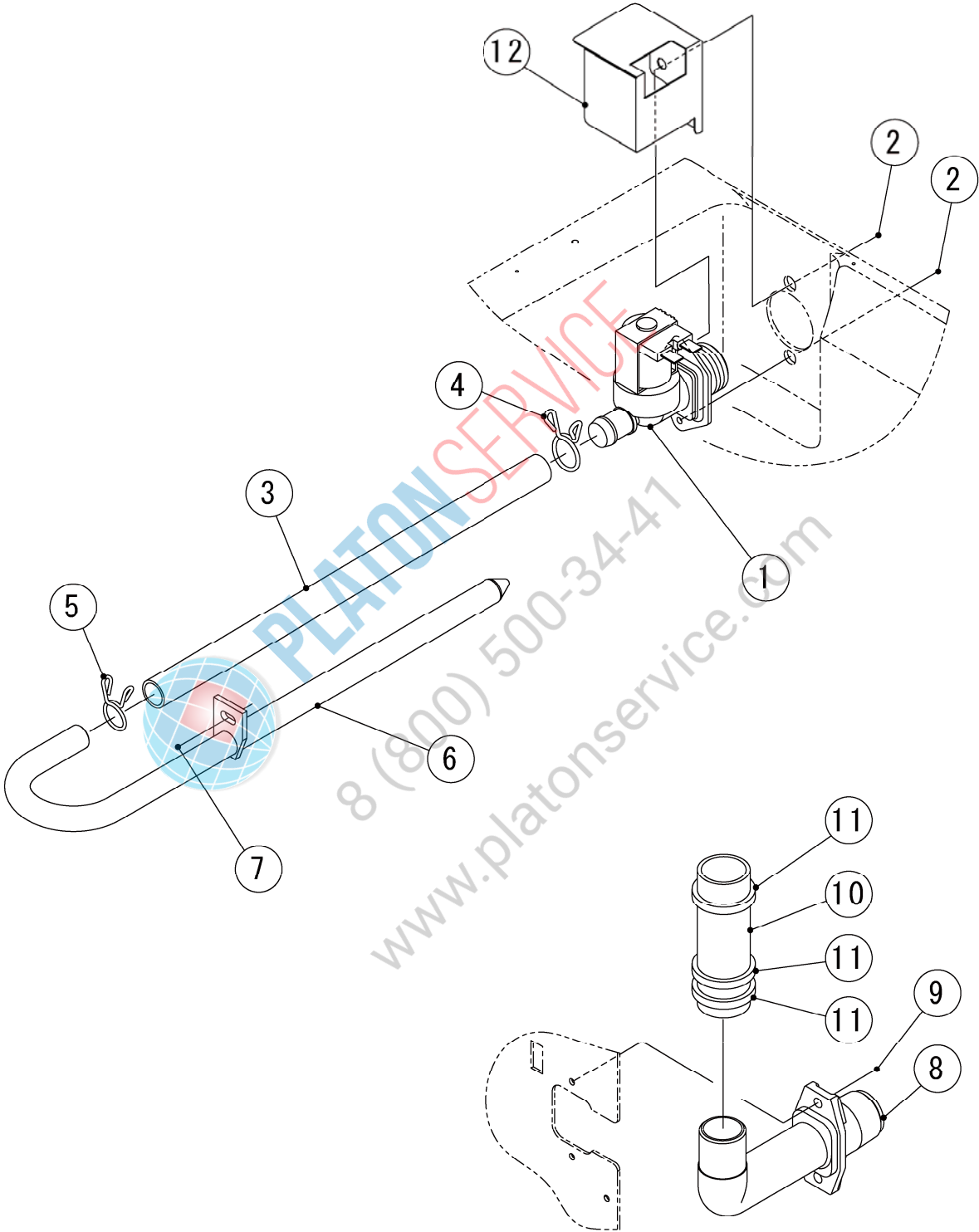


PLATON SERVICE
 8 (800) 500-34-41
 www.platonservice.com

IM-65NE (-25, -H, -S, -LM, -LM103, -C, -Q)
IM-65WNE (-25)

D. WATER CIRCUIT ASSY

(A-1) and later



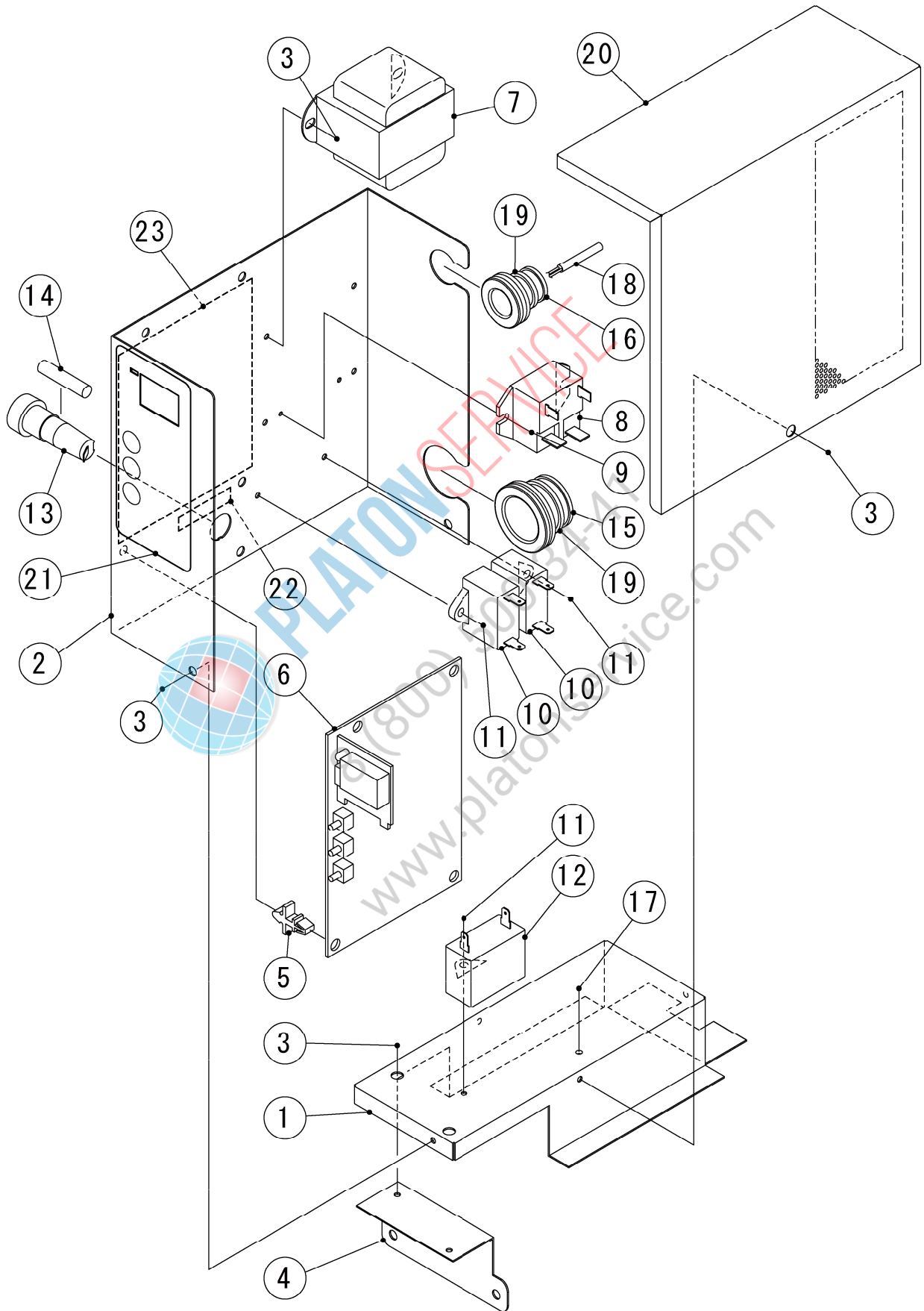
HE,GRAM

MODEL: IM-65NE(-25,-H,-S,-LM,-LM103,-C,-Q) IM-65WNE(-25)		TITLE: D.WATER CIRCUIT ASSY					
INDEX NO.	DESCRIPTION	MATERIAL OR MODEL NUMBER	PART NUMBER	REQ'D NUMBER			
				A-1 B-0	B-1,C-0 D-0	D-1	
1	WATER VALVE		P02056-01	1	1	1	
		(65NE-Q)	P03196-01	-	1	1	
2	HEX SOCKET HEAD CAP SCREW		FBX0408S0	2	2	2	
	HEX HEAD BOLT SW	(65NE-Q)	FBK0410S0	-	2	2	
3	SILICONE HOSE		3H9589-03	1	1	1	
		(65NE-C)	4Y6912R03	-	1	1	
4	HOSE CLAMP		435934-03	1	1	1	
5	HOSE CLAMP		435934-02	1	1	1	
6	WATER SUPPLY PIPE		3H9530G01	1	1	1	
		(65NE-LM,-LM3)	3Y5331G01	-	1	1	
		(65NE-C)	3Y5395G01	-	1	1	
		(65NE-Q)	3Y4547G01	-	1	1	
7	TRUSS HEAD MACHINE SCREW		FST0408S0	1	1	1	
8	DRAIN PIPE		3H0394-01	1	1	1	
9	TRUSS HEAD TAPPING SCREW T2		FT20408S0	2	2	2	
10	VINYL HOSE		3Y5610Z01	1	1	1	
11	TIE	CV-150	7920-0003	3	3	3	
12	COVER-WATER VALVE		3Y6277M01	1	1	1	

IM-65NE (-25, -H, -S, -LM, -LM103, -C, -Q)
IM-65WNE (-25)

E. CONTROL BOX ASSY

(A-1) and later



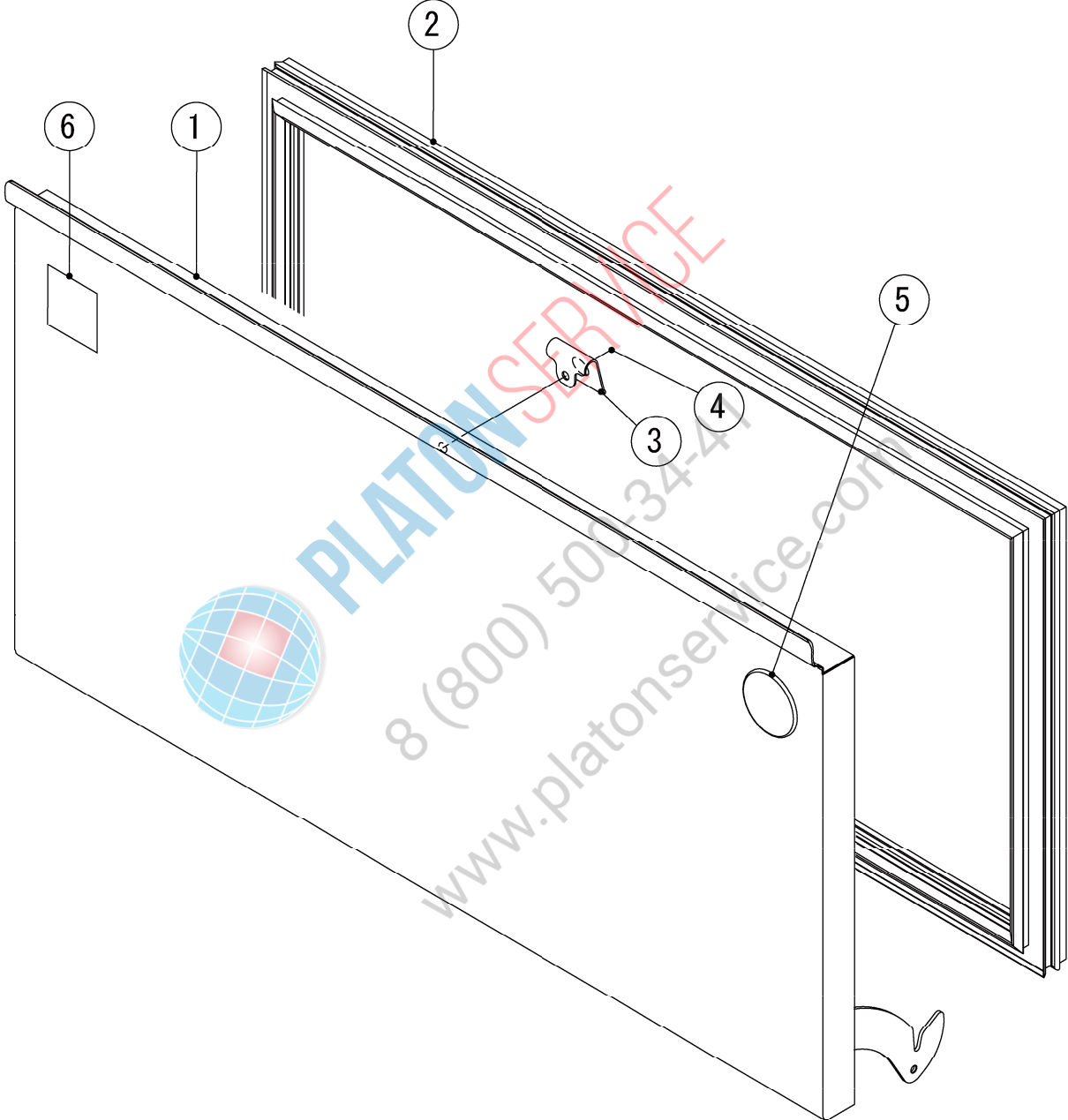
HE,GRAM

		MODEL: IM-65NE(-25,-H,-S,-LM,-LM103,-C,-Q) IM-65WNE(-25)	TITLE: E.CONTROL BOX ASSY				
INDEX NO.	DESCRIPTION	MATERIAL OR MODEL NUMBER	PART NUMBER	REQ'D NUMBER			
				A-1 B-0	B-1,C-0 D-0	D-1	
1	CONTROL BOX (A)		3Y5611M01	1	1	1	
2	CONTROL BOX(B)		2X0438M01	1	-	-	
			2X1216M01	-	1	1	
3	TRUSS HEAD TAPPING SCREW T2		FT20408F0	8	8	8	
4	PLATE - BOX		4Y7215M01	1	1	1	
5	BOARD SUPPORT		414929-02	4	4	4	
6	CONTROLLER BOARD		P01873-01	1	1	1	
7	TRANSFORMER		P02714-01	1	1	1	
8	POWER RELAY		P02203-02	1	1	1	
9	TRUSS HEAD TAPPING SCREW T2		FT20308F0	2	2	2	
10	CAPACITOR		P01870-01	2	2	2	
11	TRUSS HEAD TAPPING SCREW T2		FT20410F0	3	3	3	
12	CONDENSER		P02158-01	1	1	1	
13	FUSE HOLDER		P00014-01	1	-	-	
			P02829-01	-	1	1	
14	FUSE		P01876-01	1	-	-	
			P01992-01	-	1	1	
15	GROMMET		4H2568-01	1	1	1	
16	GROMMET		4H2568-02	1	1	1	
17	TRUSS HEAD MACHINE SCREW		FST0408S0	1	1	1	
18	THERMISTOR - CUBE COTROL		P00350-03	1	1	1	
19	TIE	CV-150	7920-0003	2	2	2	
20	CONTROL BOX COVER		3Y5612M01	1	1	1	
21	CONTROL LABEL		475642L01	1	1	1	
22	LABEL - FUSE		466798-01	1	1	1	
23	WIRING LABEL		3Y5648L01	1	1	1	
		(65NE-H,-S,-LM,-LM103) (65WNE,-25: 50Hz)	3Y7761L01	-	1	1	

IM-65NE (-25, -H, -S, -LM, -LM103, -C, -Q)
IM-65WNE (-25)

F. DOOR ASSY

(A-1) and later



HE,GRAM

MODEL: IM-65NE(-25,-H,-S,-LM,-LM103,-C,-Q) IM-65WNE(-25)		TITLE: F.DOOR ASSY					
INDEX NO.	DESCRIPTION	MATERIAL OR MODEL NUMBER	PART NUMBER	REQ'D NUMBER			
				A-1 B-0	B-1,C-0 D-0	D-1	
1	DOOR - INSULATION	(HE) Including No. 5,6	2X0466G02	1	1	1	
		(GRAM)	2X0466001	1	1	1	
2	DOOR GASKET		3Y6199P03	1	1	1	
3	CATCH - SLOPE		4X7644-01	1	1	1	
4	TRUSS HEAD TAPPING SCREW T2		FT20408M0	1	1	1	
5	LABEL - PENGUIN	(HE)	471486L01	1	1	1	
6	LABEL - HACCP		476519L01	1	1	1	



PLATON SERVICE

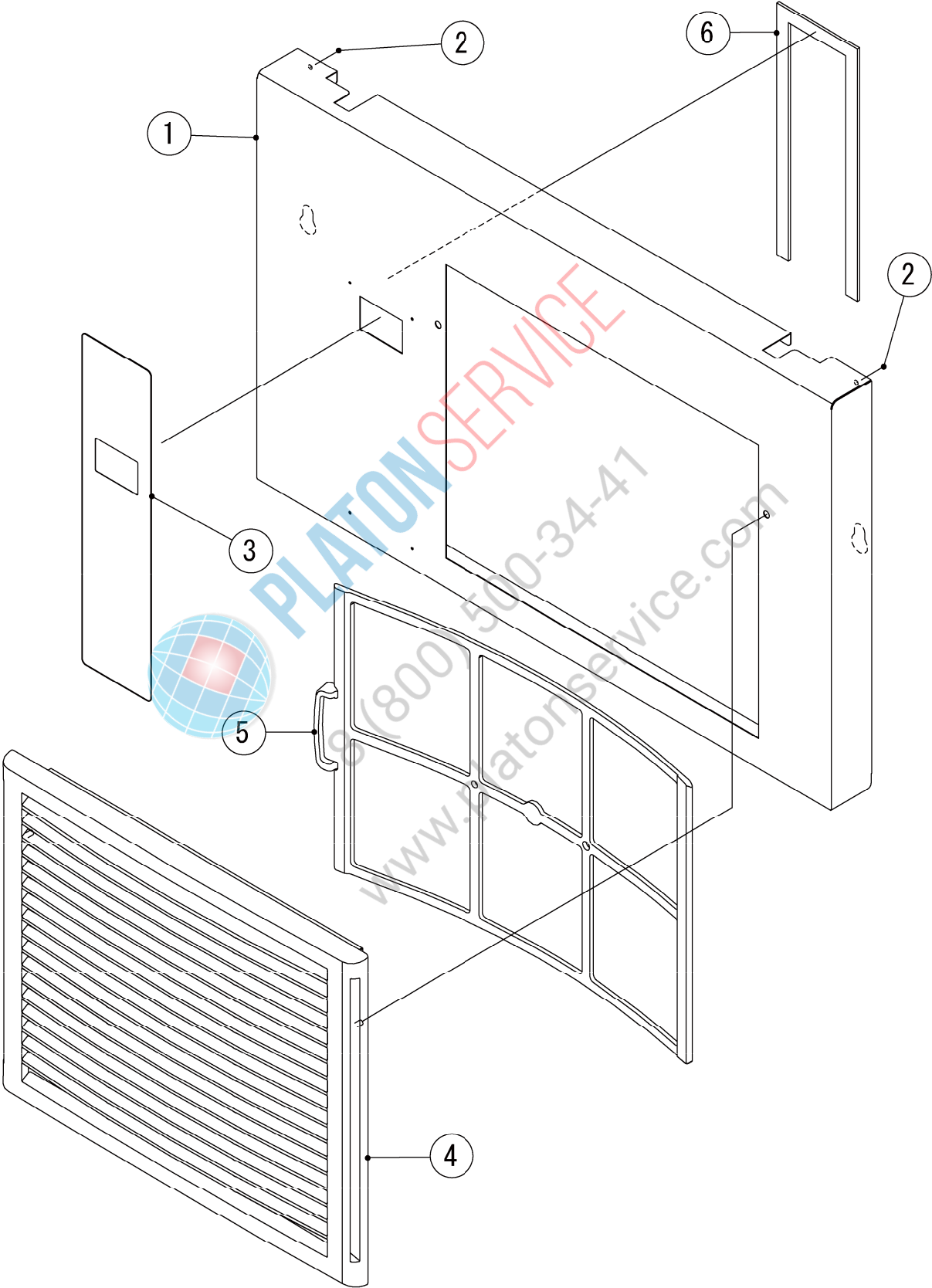
8 (800) 500-34-41

www.platonservice.com

IM-65NE (-25, -H, -S, -LM, -LM103, -C, -Q)
IM-65WNE (-25)

G. FRONT PANEL LOWER ASSY

(A-1) and later



HE,GRAM

MODEL: IM-65NE(-25,-H,-S,-LM,-LM103,-C,-Q) IM-65WNE(-25)		TITLE: G.FRONT PANEL LOWER ASSY					
INDEX NO.	DESCRIPTION	MATERIAL OR MODEL NUMBER	PART NUMBER	REQ'D NUMBER			
				A-1 B-0	B-1,C-0 D-0	D-1	
1	FRONT PANEL(LO)		2X0440M02	1	1	1	
2	RIVET	SSD42SSBS(t1.6 ~ 3.2)	7170-0002	2	2	2	
3	OPERATION LABEL		375116L03	1	1	1	
4	LOUVER		1H4811P01	1	1	1	
5	AIR FILTER		2X0416G01	1	1	1	
6	SPONGE TAPE		3Y5555Z01	1	1	1	



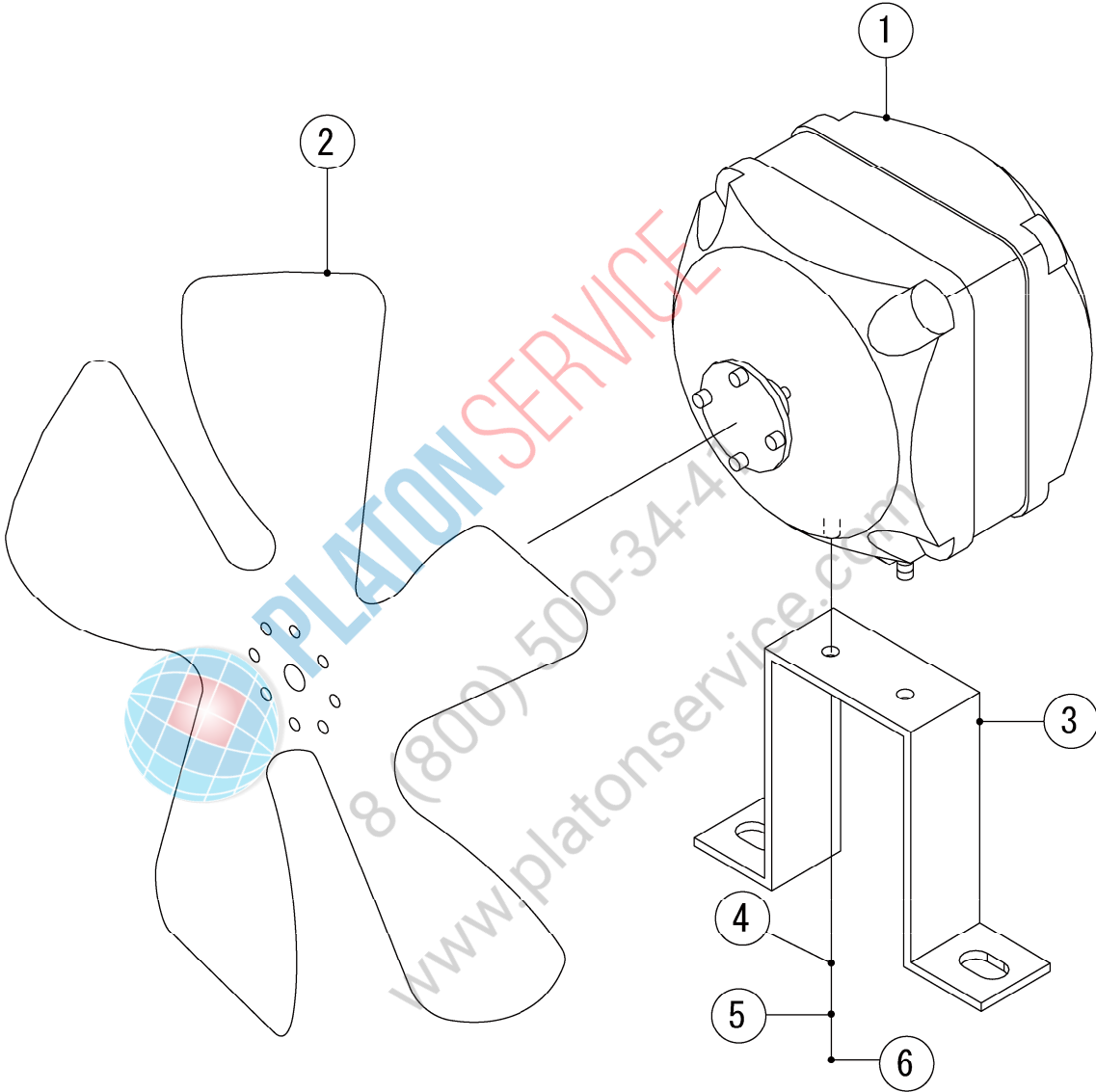
PLATON SERVICE

8 (800) 500-34-47

www.platonservice.com

H. FAN MOTOR ASSY

(A-1) and later



HE,GRAM

MODEL: IM-65NE(-25,-H,-S,-LM,-LM103,-C,-Q)		TITLE: H.FAN MOTOR ASSY					
INDEX NO.	DESCRIPTION	MATERIAL OR MODEL NUMBER	PART NUMBER	REQ'D NUMBER			
				A-1 B-0	B-1,C-0 D-0	D-1	
1	FAN MOTOR		P00022-01	1	1	1	
2	FAN		451771-01	1	1	1	
3	BRACKET - FM		451767-01	1	1	1	
4	FLAT WASHER		FWPL04S0	2	2	2	
5	SPRING WASHER		FWSP04S0	2	2	2	
6	NUT		FNH104S0	2	2	2	



PLATON SERVICE

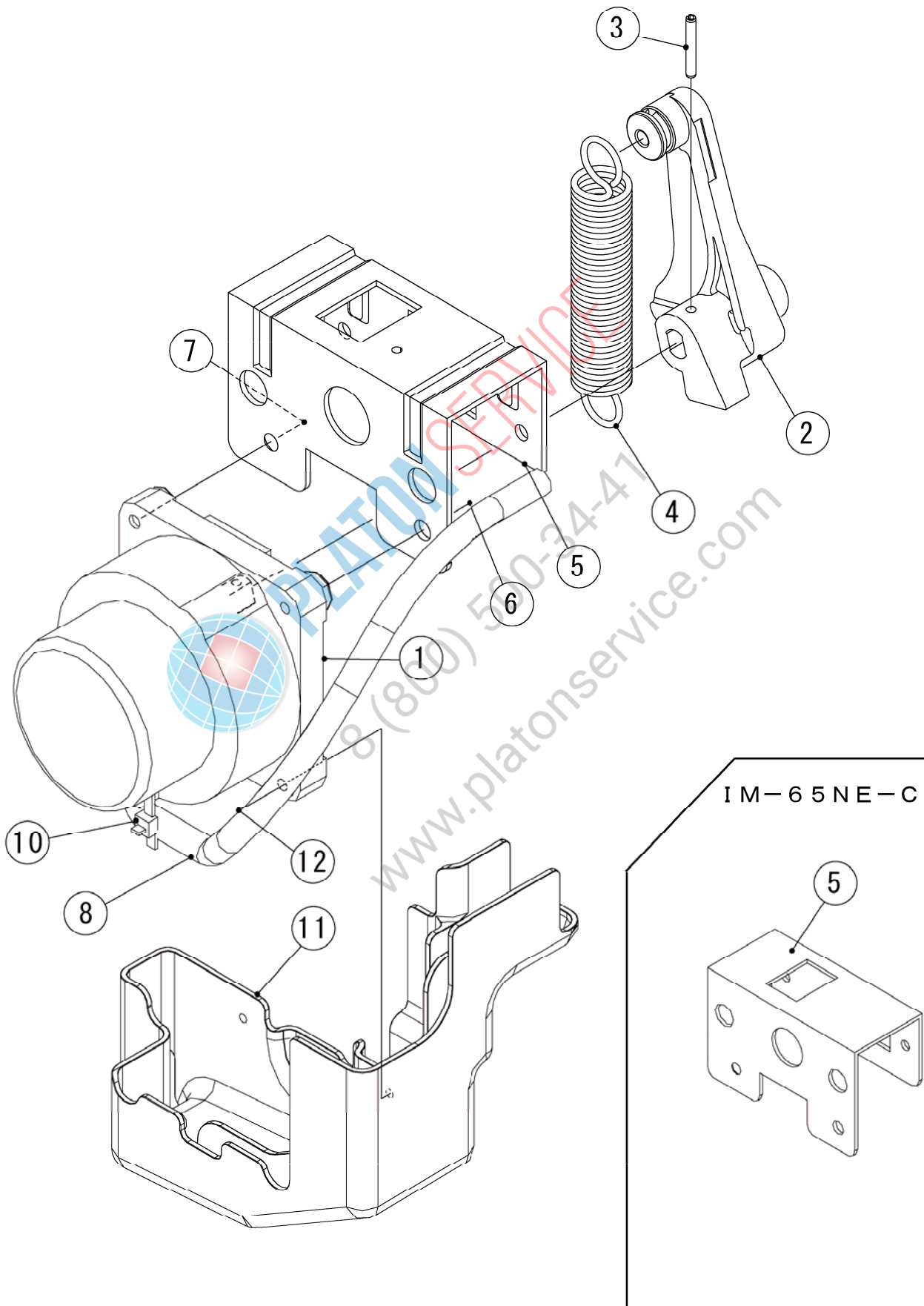
8 (800) 500-34-47

www.platonservice.com

IM-65NE (-25, -H, -S, -C)
IM-65WNE (-25)

J. ACTUATOR MOTOR ASSY

(A-1) and later



HE,GRAM

MODEL: IM-65NE(-25,-H,-S,-C) IM-65WNE(-25)				TITLE: J.ACTUATOR MOTOR ASSY			
INDEX NO.	DESCRIPTION	MATERIAL OR MODEL NUMBER	PART NUMBER	REQ'D NUMBER			
				A-1 B-0	B-1,C-0 D-0	D-1	
1	ACTUATOR MOTOR		P01869-01	1	1	1	
2	CAM (A)		3Y2277P01	1	1	1	
3	SPRING PIN		712S-0322	1	1	1	
4	SPRING		4H2590-01	1	1	1	
5	BRACKET - ACTUATOR MOTOR		3H1388-04	1	1	1	
	BRACKET - AM	(65NE-C)	3Y5391M01	-	1	1	
6	TRUSS HEAD MACHINE SCREW		FST0612S0	1	1	1	
7	FLAT HEAD MACHINE SCREW		FSF0612S0	1	1	1	
8	TUBE - SILICONE		4Y6751Z08	1	1	1	
		(65NE-C)	4Y6751Z03	-	1	1	
9	TUBE - SILICONE		4X8017-01	-	-	-	
10	TIE	CV-150	7920-0003	1	1	1	
11	COVER - ACTUATOR MOTOR		1H4881P01	1	1	1	
12	T2 TRUSS HEAD SCREW		FT20418M0	2	2	2	

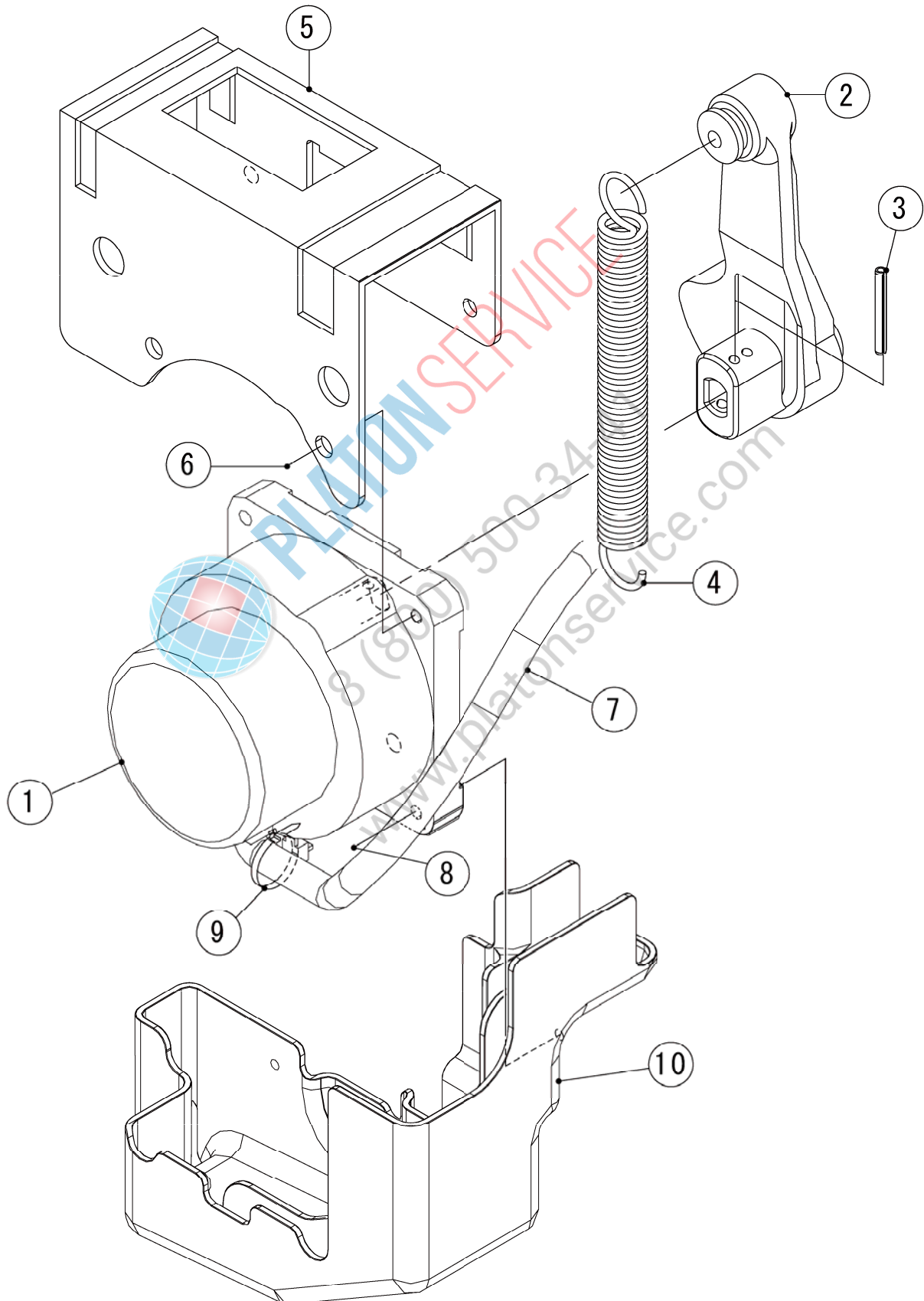


PLATON SERVICE
 8 (800) 500-34-47
 www.platonservice.com

IM-65NE-LM
IM-65NE-LM103

J. ACTUATOR MOTOR ASSY

(B-1) and later

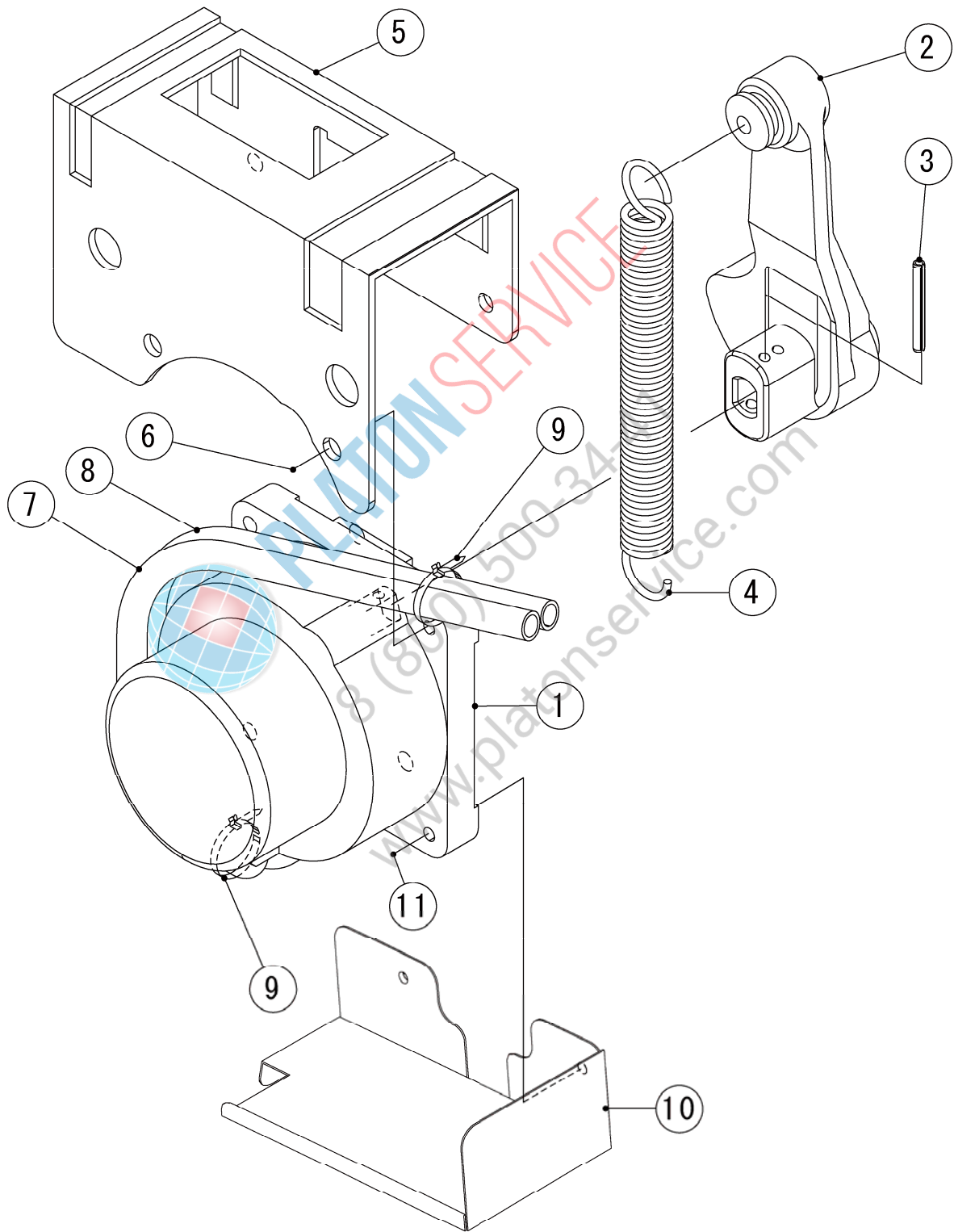


HE

MODEL: IM-65NE-LM IM-65NE-LM103		TITLE: J.ACTUATOR MOTOR ASSY					
INDEX NO.	DESCRIPTION	MATERIAL OR MODEL NUMBER	PART NUMBER	REQ'D NUMBER			
				C-0 D-0	D-1		
1	ACTUATOR MOTOR		P01869-01	1	1		
2	CAM(A)		306543G03	1	1		
3	SPRING PIN 3*28		712S-0328	1	1		
4	SPRING		4H0287-01	1	1		
5	BRACKET - AM		3Y2924M01	1	1		
6	HEX HEAD BOLT (SPRING WASHER AND FLAT WASHER)		FBK0620S0	2	2		
7	TUBE - SILICONE		4Y6751Z08	1	1		
8	T2 TRUSS HEAD SCREW		FT20418M0	2	2		
9	TIE		7920-0003	1	1		
10	COVER - ACTUATOR MOTOR		1H4881P01	1	1		



PLATON SERVICE
 8 (800) 500-34-41
www.platonservice.com



HE

MODEL: IM-65NE-Q		TITLE: J.ACTUATOR MOTOR ASSY					
INDEX NO.	DESCRIPTION	MATERIAL OR MODEL NUMBER	PART NUMBER	REQ'D NUMBER			
				C-0 D-0	D-1		
1	ACTUATOR MOTOR		P01869-01	1	1		
2	CAM(A)		3H5648-02	1	1		
3	SPRING PIN 3*28		712S-0328	1	1		
4	SPRING		4H0287-01	1	1		
5	BRACKET - AM		3Y2924M01	1	1		
6	HEX HEAD BOLT (SPRING WASHER AND FLAT WASHER)		FBK0620S0	2	2		
7	TUBE - SILICONE		4Y6751Z02	1	1		
8	TUBE - SILICONE		4X8017-07	1	1		
9	TIE		7920-0003	2	2		
10	COVER - AM		3Y7525M01	1	1		
11	HEX HEAD BOLT (SPRING WASHER AND FLAT WASHER)		FBK0416S0	2	2		

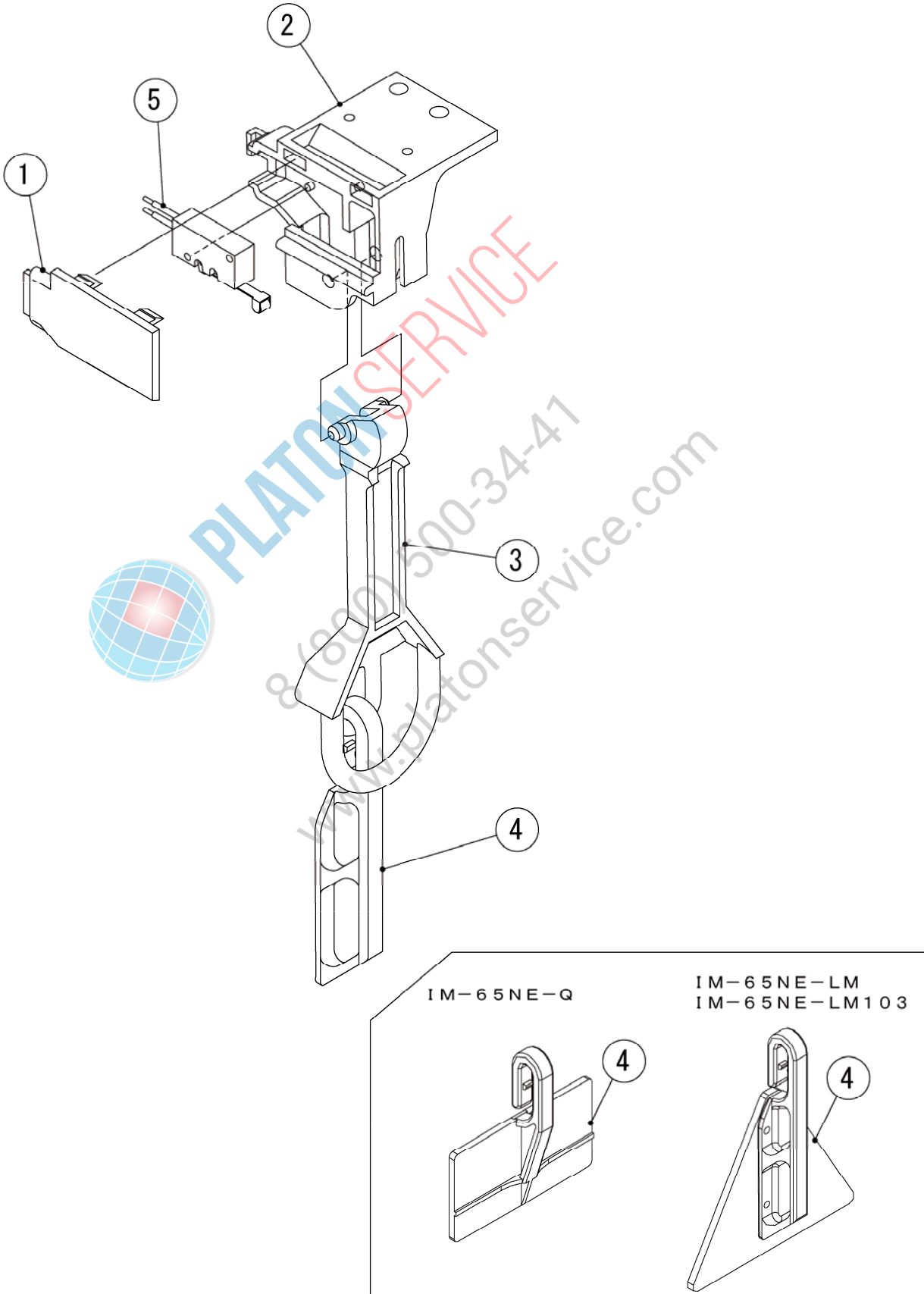


PLATON SERVICE
8 (800) 500-34-47
www.platonservice.com

IM-65NE (-25, -H, -S, -LM, -LM103, -C, -Q)
IM-65WNE (-25)

K. BIN CONTROL SWITCH

(A-1) and later



HE,GRAM

MODEL: IM-65NE(-25,-H,-S,-LM,-LM103,-C,-Q) IM-65WNE(-25)		TITLE: K.BIN CONTROL SWITCH					
INDEX NO.	DESCRIPTION	MATERIAL OR MODEL NUMBER	PART NUMBER	REQ'D NUMBER			
				A-1 B-0	B-1,C-0 D-0	D-1	
1	SWITCH BOX COVER		4H8785-01	1	1	1	
2	SWICH BOX		2H2043-01	1	1	1	
3	SWITCH ACTUATOR		3H1369-01	1	1	1	
4	DETECTOR		3H0633-01	1	1	1	
		(65NE-Q)	3H9308-01	-	1	1	
	WORKING BAR	(65NE-LM,-LM103)	3H4610G01	-	1	1	
5	MICRO SWITCH		456432-02	1	1	1	



PLATON SERVICE

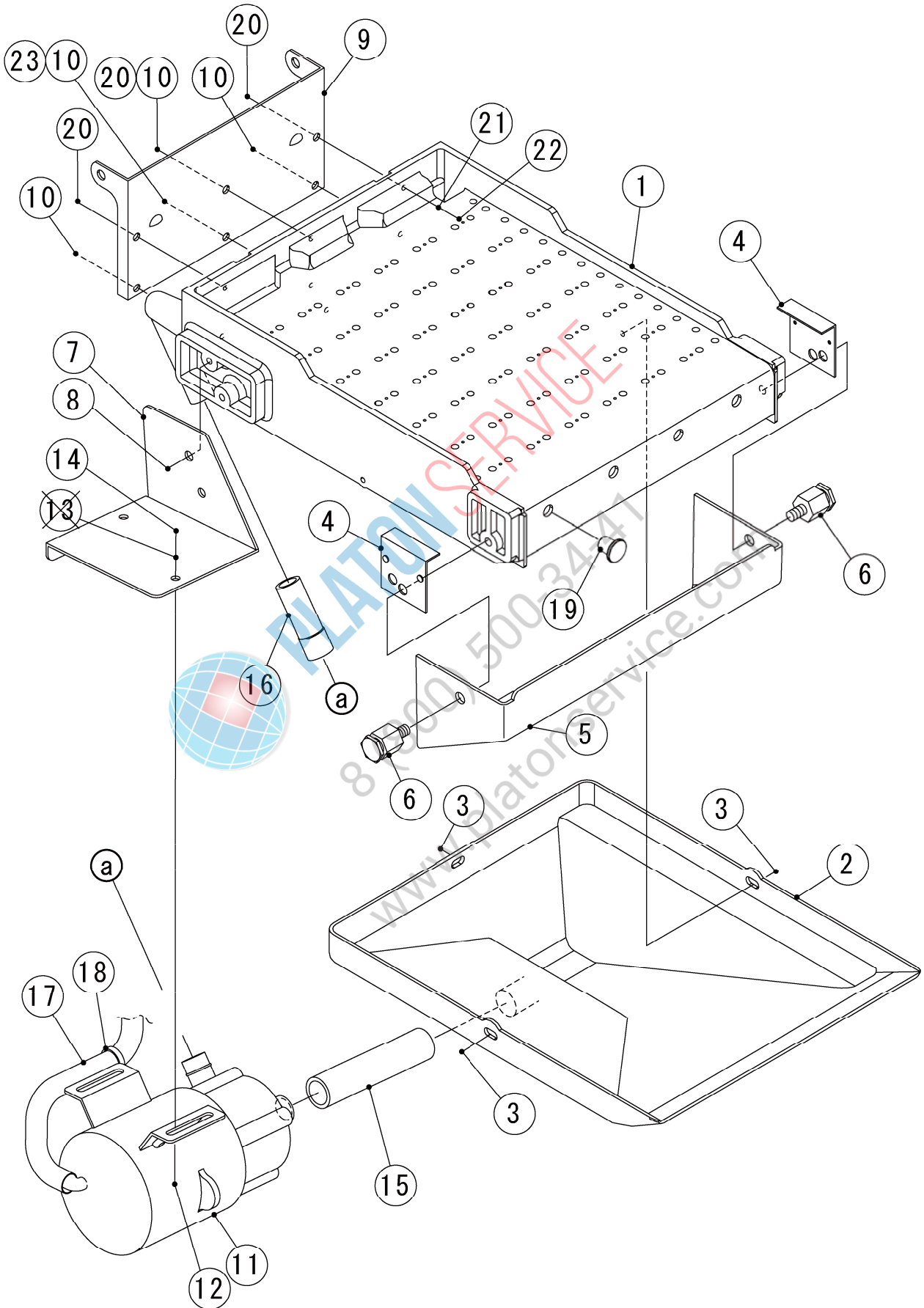
8 (800) 500-34-47

www.platonservice.com

IM-65NE (-25, -H, -S, -C)
IM-65WNE (-25)

L. WATER PAN ASSY

(A-1) and later



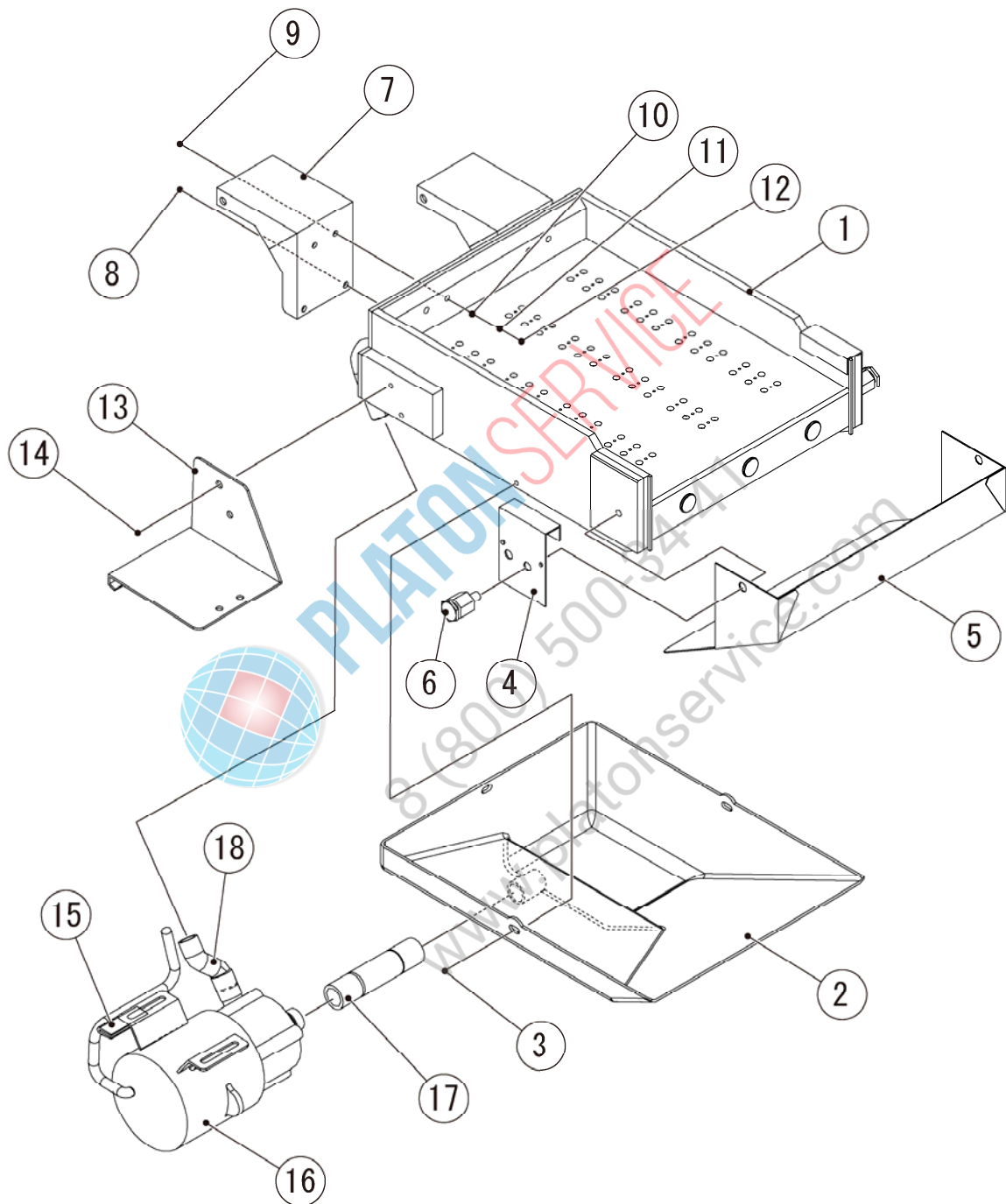
HE,GRAM

MODEL: IM-65NE(-25,-H,-S,-C) IM-65WNE(-25)		TITLE: L.WATER PAN ASSY					
INDEX NO.	DESCRIPTION	MATERIAL OR MODEL NUMBER	PART NUMBER	REQ'D NUMBER			
				A-1 B-0	B-1,C-0 D-0	D-1	
1	WATER PLATE		2H0598G02	1	1	1	
	WATER PAN	(65NE-H,-S)	1H0545G01	-	1	1	
	WATER PLATE	(65NE-C)	1H4748G01	-	1	1	
	WATER PLATE	(65NE-25)(65WNE-25)	2H0598G03	1	1	1	
2	WATER TANK		2H1459-02	1	1	1	
3	TRUSS HEAD TAPPING SCREW T2		FT20408M0	3	3	3	
	TRUSS HEAD SCREW	(65NE-H,-S,-C)	FST0408S0	-	3	3	
4	PLATE - LUBRICATION		4H0448-01	2	2	2	
5	DRAIN GUIDE		3H5521-01	1	1	1	
	GUIDE - DRAIN	(65NE-H,-S)	3H0785G01	-	1	1	
		(65NE-C)	3Y5392M01				
6	SCREW SPRING HOOK		4H2582G01	2	2	2	
7	BRACKET - PUMP MOTOR		4Y7294M01	1	1	1	
8	TRUSS HEAD TAPPING SCREW T2	(65NE,-25)(65WNE,-25) (65NE-C)	FT20512M0	2	2	2	
	TRUSS HEAD SCREW	(65NE-H,-S)	FST0516S0	-	2	2	
9	BRACKET - WATER PAN		4H2643-02	1	1	1	
	BRACKET - WP	(65NE-C)	4Y6937M01	-	1	1	
10	TRUSS HEAD TAPPING SCREW T2	(65NE,-25)(65WNE,-25)	FT20412M0	4	4	4	
11	PUMP MOTOR		P02132-01	1	1	1	
12	HEX HEAD BOLT (SPRING WASHER AND FLAT WASHER)		FBK0412S0	2	2	2	
	HEX HEAD BOLT	(65NE-C)	FBH0412S0	-	2	2	
13	FLAT WASHER		FWPL04S0	-	-	-	
14	FLANGE NUT		FNHF04S0	2	2	2	
15	SUCTION TUBING		4H1922-02	1	1	1	
16	DISCHARGE TUBING		4H1982-01	1	1	1	
17	TUBE - SILICONE	EXCEPT(65NE-C)	4Y6751Z03	1	1	1	
18	TIE	CV-70	7920-0001	1	1	1	
19	PLUG - CLEANING (C)	(65NE-H,-S)	414061-01	-	4	4	
20	TRUSS HEAD MACHINE SCREW	(65NE-H,-S,-C)	FST0420S0	-	3	3	
21	SPRING WASHER	(65NE-H,-S)	FWSP04S0	-	2	2	
	FLAT WASHER	(65NE-C)	FWPL04S0	-	5	5	
22	NUT	(65NE-H,-S)	FNH104S0	-	2	2	
	NUT (LEFT HAND THREAD)	(65NE-C)	FN1L04S0	-	3	3	
23	TRUSS HEAD SCREW	(65NE-C)	FST0412S0	-	1	1	

IM-65NE-LM
IM-65NE-LM103

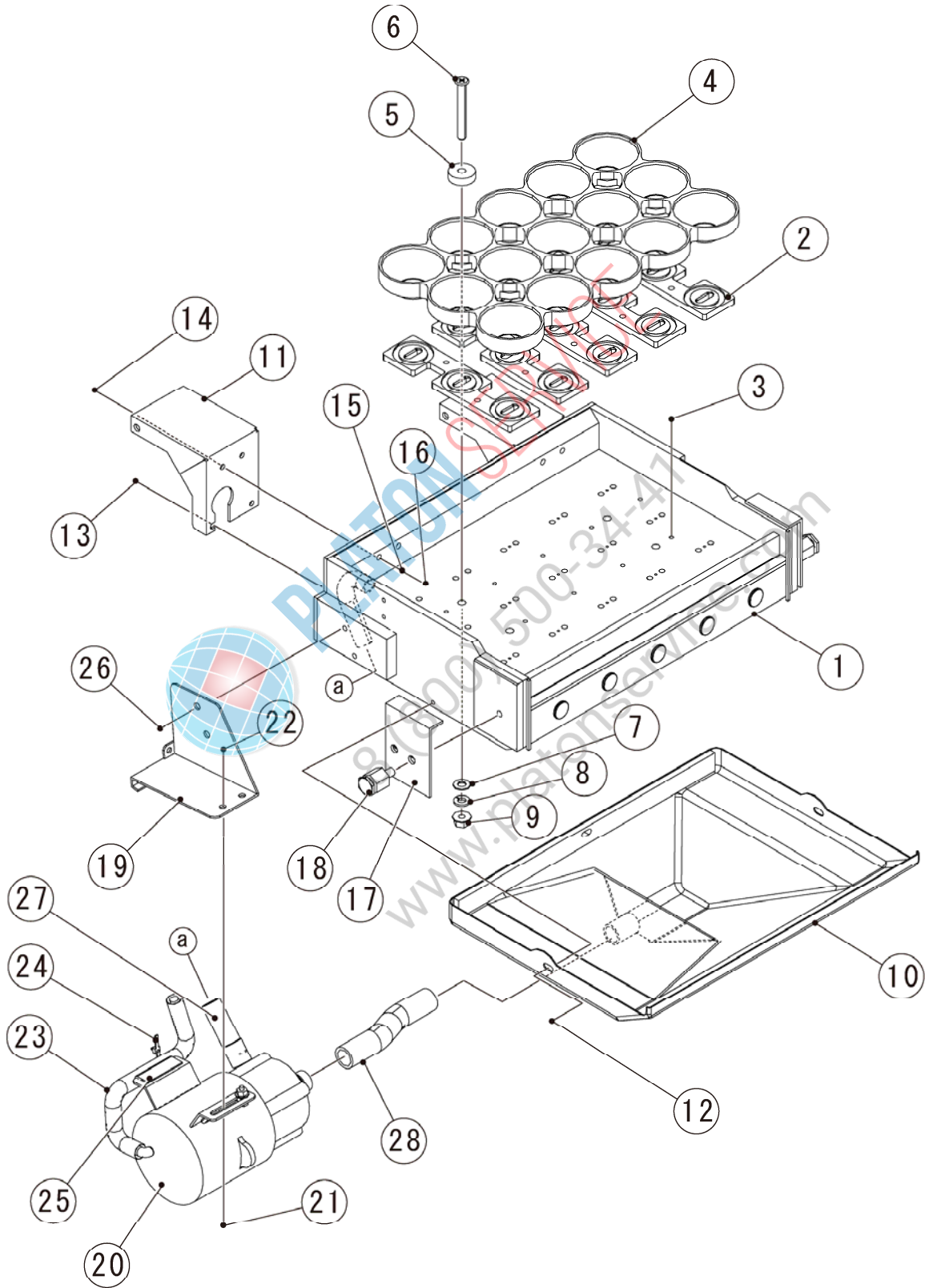
L. WATER PAN ASSY

(C-0) and later



HE

MODEL: IM-65NE-LM IM-65NE-LM103			TITLE: L.WATER PAN ASSY				
INDEX NO.	DESCRIPTION	MATERIAL OR MODEL NUMBER	PART NUMBER	REQ'D NUMBER			
				C-0 D-0	D-1		
1	WATER PLATE		1H0721G01	1	1		
2	WATER PAN		2H1631G01	1	1		
3	TRUSS HEAD SCREW		FST0408S0	3	3		
4	BRACKET (B)		4H6659-01	2	2		
5	WATER GUIDE		2H1634-01	1	1		
6	SCREW SPRING HOOK		4H2582G01	2	2		
7	BRACKET - WATER PLATE		3H3899-01	2	2		
8	PAN HEAD MACHINE SCREW		FSP0416S0	4	4		
9	TRUSS HEAD MACHINE SCREW		FST0420S0	4	4		
10	FLAT WASHER		FWPL04S0	4	4		
11	SPRING WASHER		FWSP04S0	4	4		
12	NUT		FNH104S0	4	4		
13	BRACKET - PUMP MOTOR		4H2642-03	1	1		
14	TRUSS HEAD MACHINE SCREW		FST0512S0	2	2		
15	PACKING		4H2982-01	1	1		
16	PUMP MOTOR		P02132-01	1	1		
17	SUCTION TUBING		4H1922-02	1	1		
18	DISCHARGE TUBING		4Y1376-01	1	1		



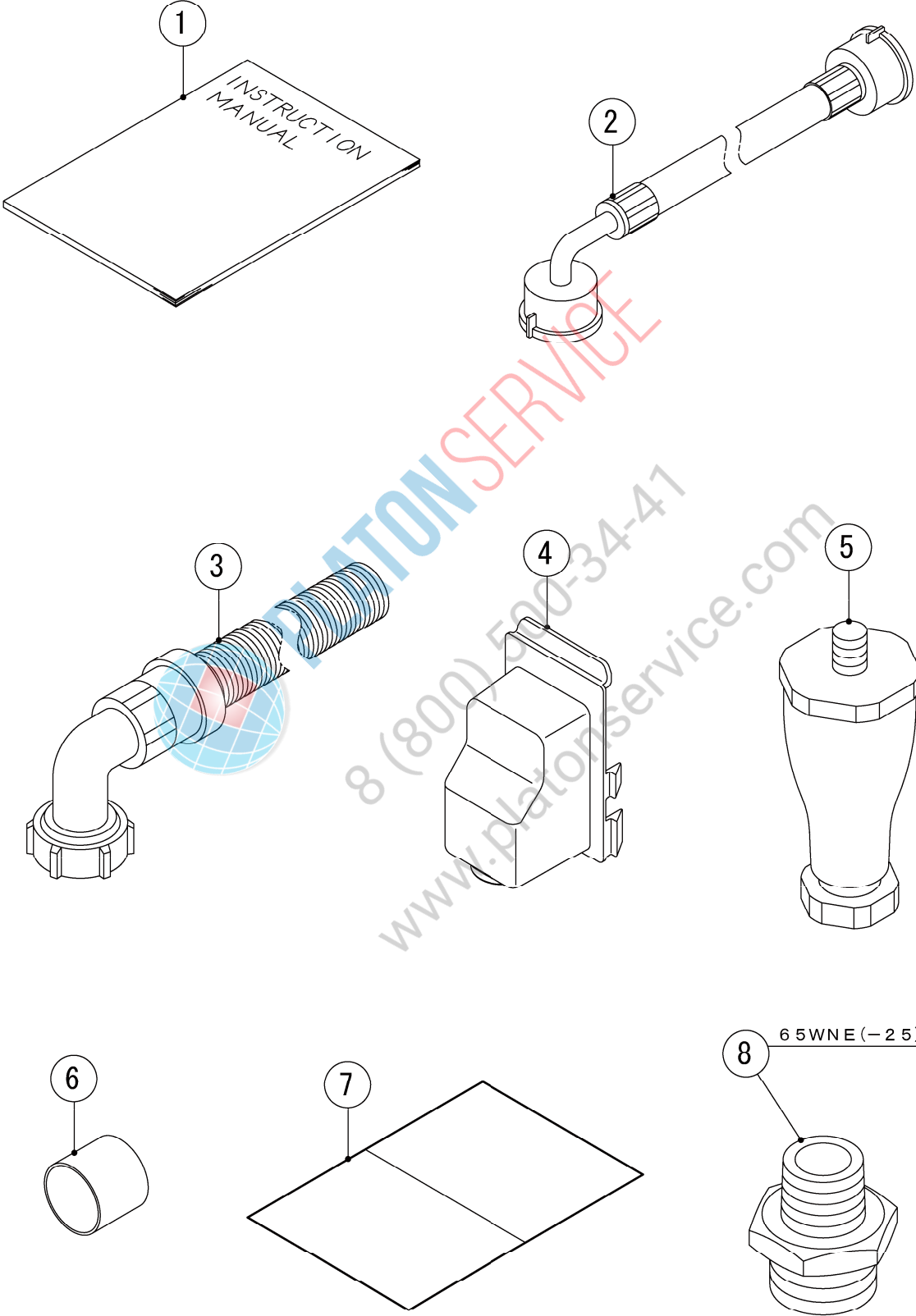
HE

MODEL: IM-65NE-Q			TITLE: L.WATER PAN ASSY				
INDEX NO.	DESCRIPTION	MATERIAL OR MODEL NUMBER	PART NUMBER	REQ'D NUMBER			
				C-0 D-0	D-1		
1	WATER PLATE		1H0696G01	1	1		
2	BASE-EVAPORATOR		4H6512-01	5	5		
3	TRUSS HEAD SCREW		FST0412S0	11	11		
4	EVAPORATOR (LO)		2H8529M01	1	1		
5	WASHER		4H1365-01	4	4		
6	SCREW EVAPORATOR		4Y4922M02	4	4		
7	FLAT WASHER		FWPL06S0	4	4		
8	SPRING WASHER		FWSP06S0	4	4		
9	FLANGE NUT		FNHF06S0	4	4		
10	WATER PAN		2H1754G01	1	1		
11	BRACKET(B)-WATER PLATE		3H5924-01	2	2		
12	TRUSS HEAD SCREW		FST0408S0	2	2		
13	PAN HEAD MACHINE SCREW		FSP0416S0	4	4		
14	TRUSS HEAD MACHINE SCREW		FST0420S0	4	4		
15	FLAT WASHER		FWPL04S0	4	4		
16	FLANGE NUT		FNHF04S0	4	4		
17	PLATE-WATER PLATE		4Y8235M01	2	2		
18	SCREW SPRING HOOK		4H2582G01	2	2		
19	BRACKET-PUMP MOTOR		4H7249-01	1	1		
20	PUMP MOTOR		P02132-01	1	1		
21	HEX HEAD BOLT (SPRING WASHER AND FLAT WASHER)		FBK0412S0	2	2		
22	FLANGE NUT		FNHF04S0	2	2		
23	TUBE-SILICONE		4Y6751Z03	1	1		
24	NYLON TIE		7920-0001	1	1		
25	PACKING		4H2982-01	1	1		
26	HEX HEAD BOLT (SPRING WASHER AND FLAT WASHER)		FBK0512S0	2	2		
27	DISCHARGE TUBING		4H1982-01	1	1		
28	TUBE(B)		4H7400-01	1	1		

IM-65NE (-25, -H, -S, -LM, -LM103, -C, -Q)
IM-65WNE (-25)

M. ACCESSORIES

(A-1) and later



HE,GRAM

MODEL: IM-65NE(-25,-H,-S,-LM,-LM103,-C,-Q) IM-65WNE(-25)				TITLE: M.ACCESSORIES			
INDEX NO.	DESCRIPTION	MATERIAL OR MODEL NUMBER	PART NUMBER	REQ'D NUMBER			
				A-1 B-0	B-1,C-0 D-0	D-1	
1	INSTRUCTION MANUAL		L1E1EC201	1	1	1	
2	INLET HOSE		450722-01	1	1	1	
		(65WNE)(65WNE-25)		2	2	2	
3	OUTLET HOSE		452365-01	1	1	1	
		(65WNE)(65WNE-25)		2	2	2	
4	COVER - CONNECTOR		2X0271P01	1	1	1	
5	LEG		462576-02	4	4	4	
6	CAP		417323-01	1	1	1	
7	INSTRUCTION SHEET		121594L01	1	1	1	
8	ADAPTOR	(65WNE)(65WNE-25)	450724-01	2	2	2	



PLATON SERVICE

8 (800) 500-34-47

www.platonservice.com